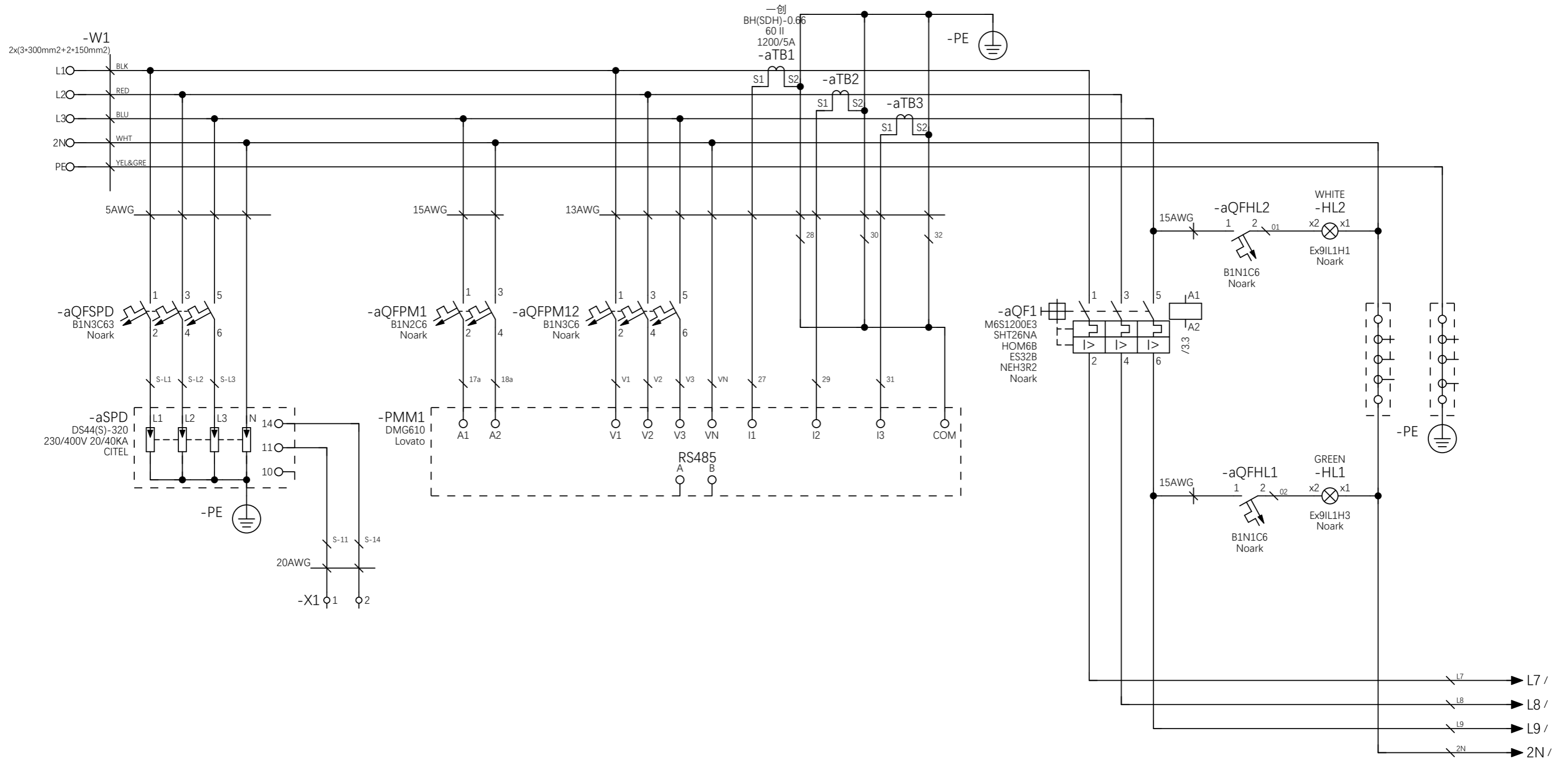


# CABINET\_A

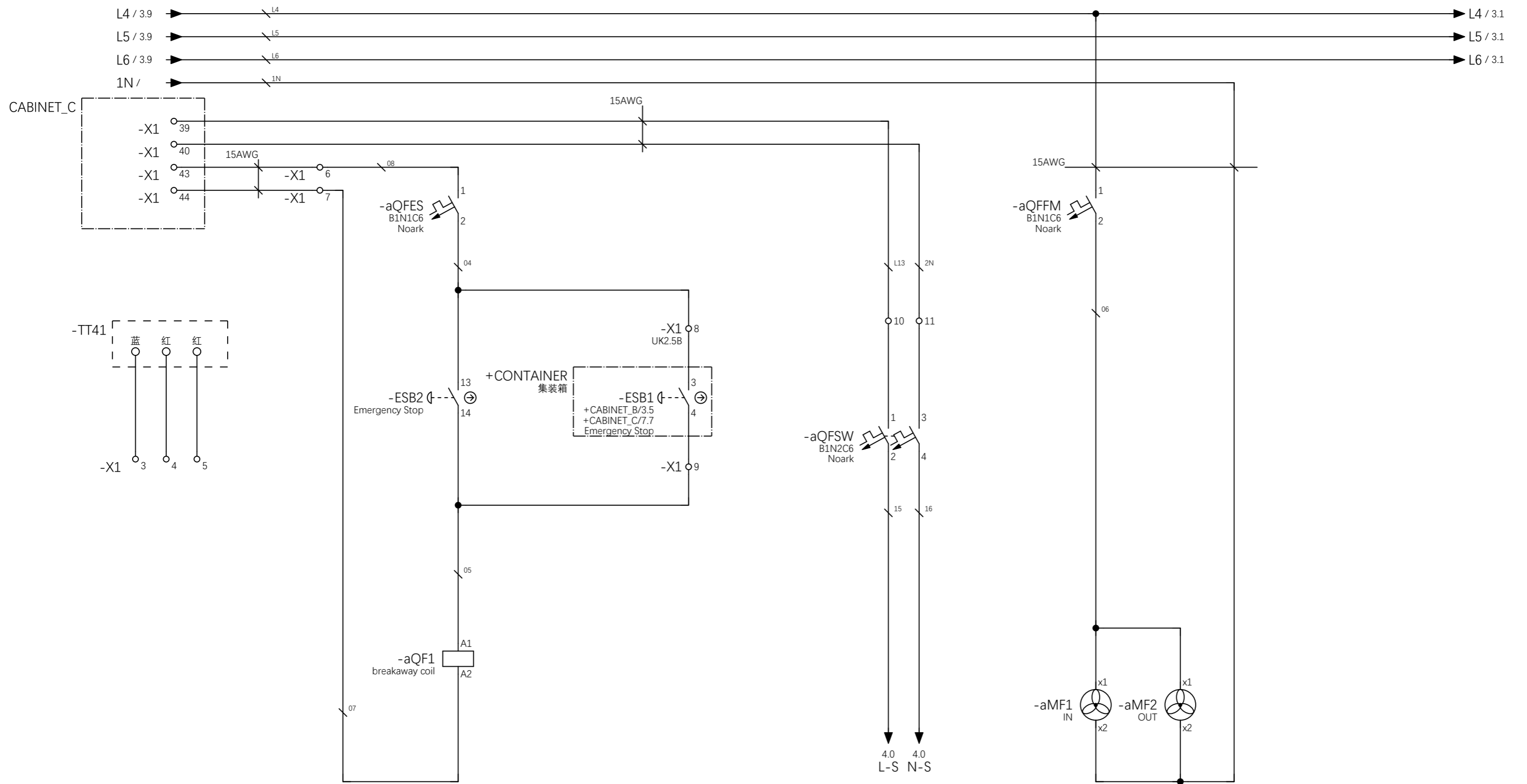
## Electrical schematic diagram

### JY-RD-03-21-05

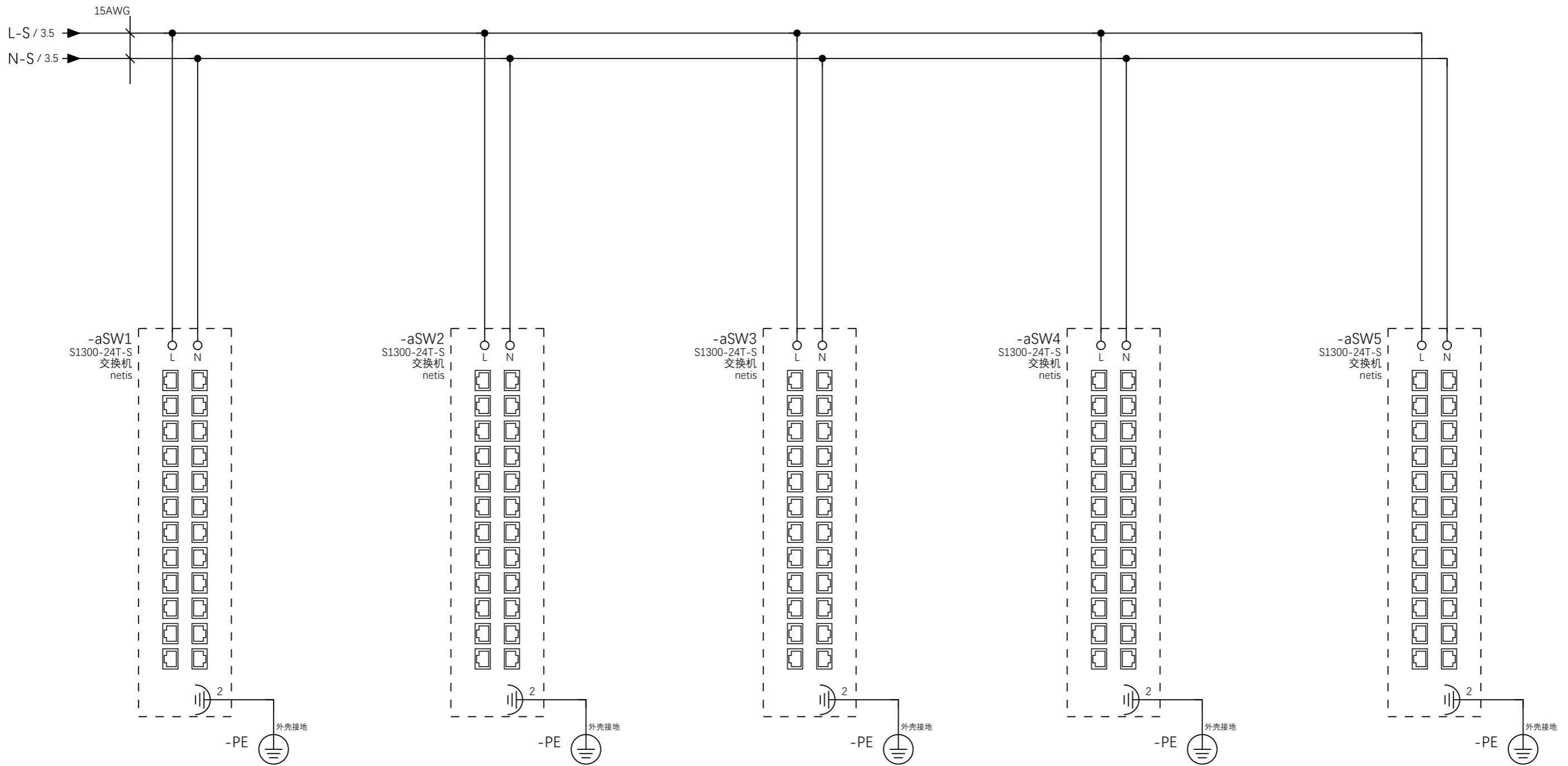
			DATE	2022/5/28	Jiangyin Juyuan Intelligent Technology Co., Ltd.	1MW MINER LIQUID COOLING SYSTEM	TITLE PAGE	=
			AUTHOR					+ CABINET_A
			CHECK					Page 1
MODIFY	DATE	NAME						5 Page /55



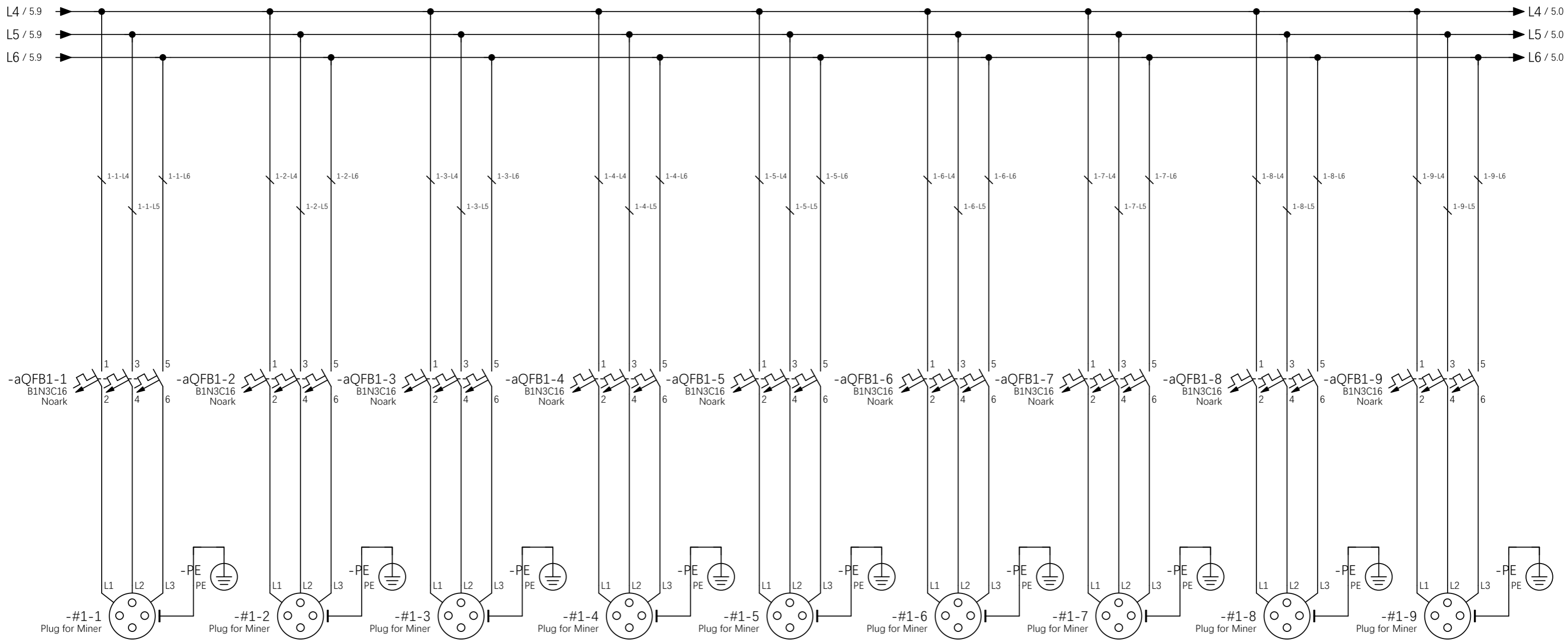
1			3		
DATE	2022/5/27	Jiangyin Juyuan Intelligent Technology Co., Ltd.	1MW MINER LIQUID COOLING SYSTEM	POWER PMM SPD	=
AUTHOR				电源 电力表 浪涌	+ CABINET_A
CHECK					Page 2
MODIFY	DATE	NAME			6 Page / 55



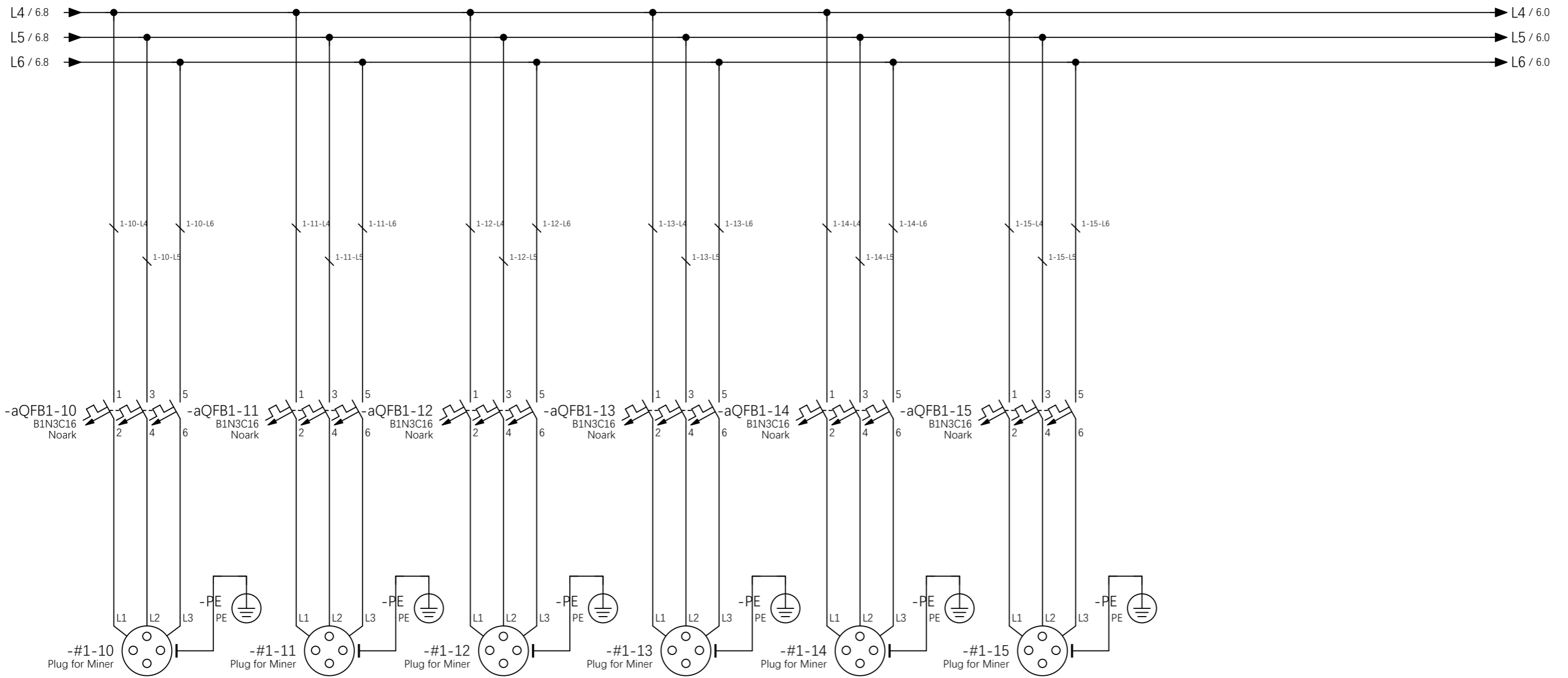
			DATE	2022/5/27	Jiangyin Juyuan Intelligent Technology Co., Ltd.	1MW MINER LIQUID COOLING SYSTEM	TEMP SWITCH POWER ES 温度传感器 交换机电源 急停	=
			AUTHOR				+ CABINET_A	
			CHECK				Page	3
MODIFY	DATE	NAME					7	Page / 55



			DATE	2022/5/27	Jiangyin Juyuan Intelligent Technology Co., Ltd.	1MW MINER LIQUID COOLING SYSTEM	SWITCHS 交换机	=
			AUTHOR					+ CABINET_A
			CHECK					Page 4
MODIFY	DATE	NAME						8 Page / 55

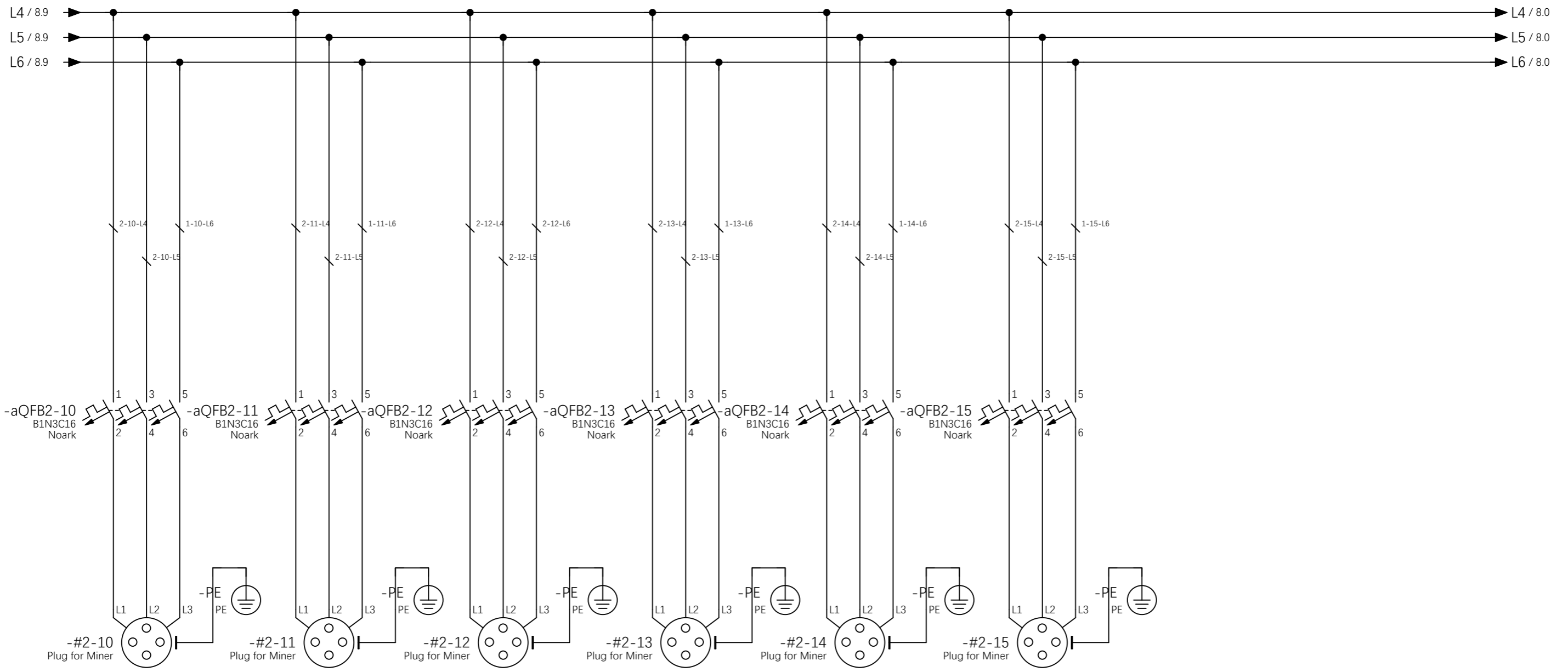


			DATE	2022/5/27	Jiangyin Juyuan Intelligent Technology Co., Ltd.	1MW MINER LIQUID COOLING SYSTEM	POWER#1-1~#1-9 #1-1~#1-9电源	=
			AUTHOR					+ CABINET_A
			CHECK					Page 5
MODIFY	DATE	NAME						9 Page /55

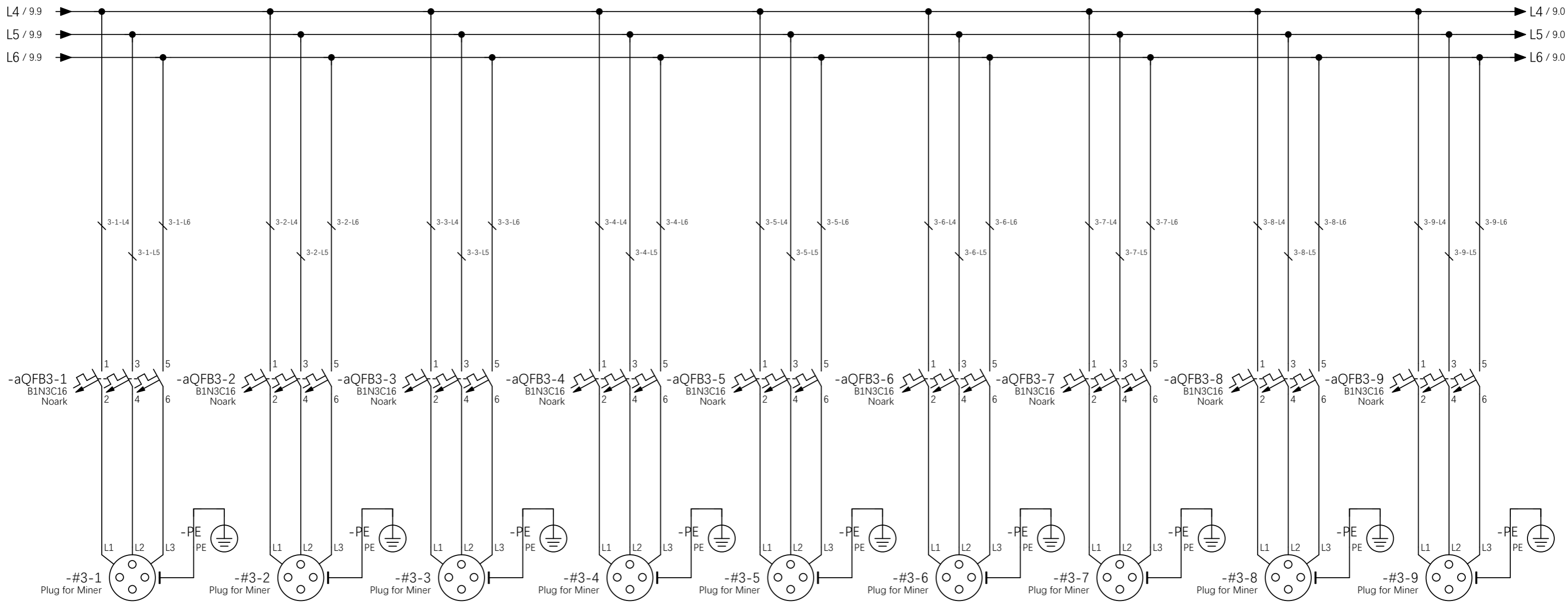


			DATE	2022/5/27	Jiangyin Juyuan Intelligent Technology Co., Ltd.	1MW MINER LIQUID COOLING SYSTEM	POWER#1-10~#1-15 #1-10~#1-15电源	=
			AUTHOR					+ CABINET_A
			CHECK					Page 6
MODIFY	DATE	NAME						10 Page /55



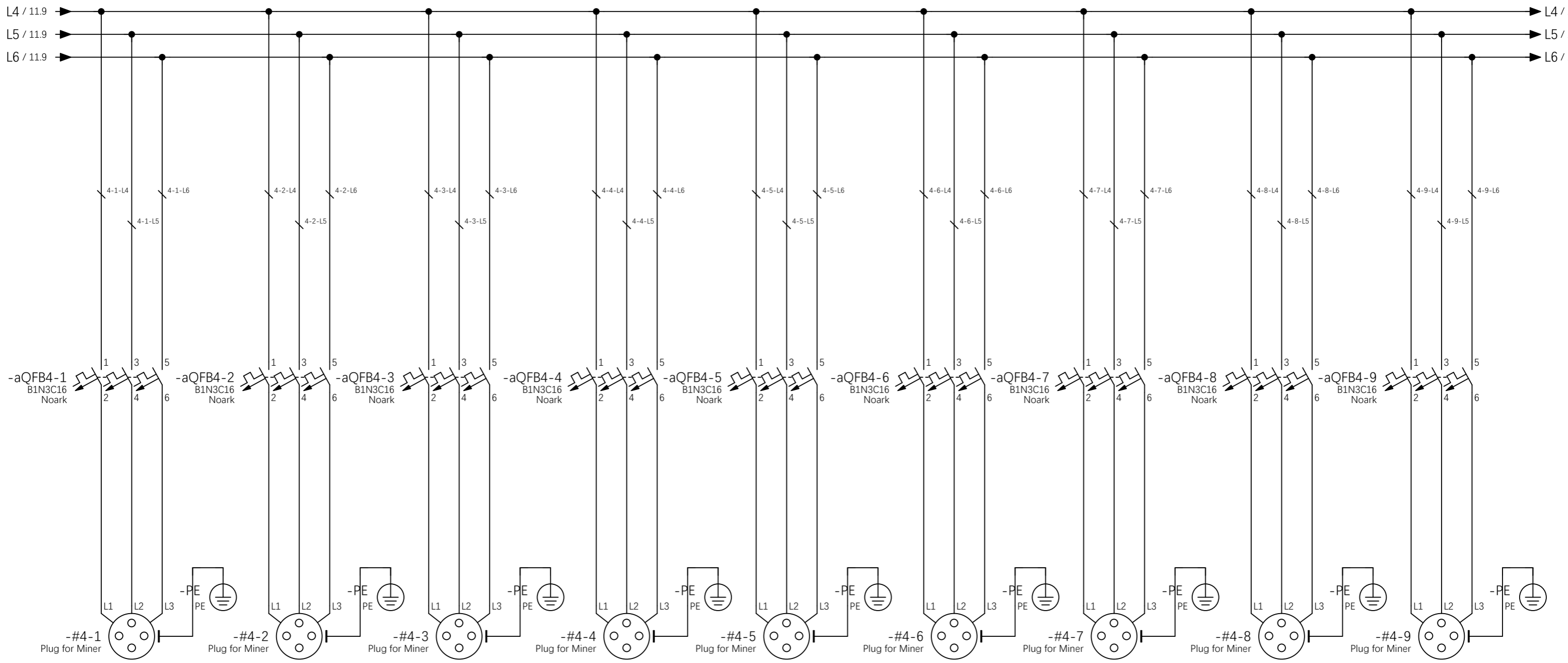


			DATE	2022/5/28	Jiangyin Juyuan Intelligent Technology Co., Ltd.	1MW MINER LIQUID COOLING SYSTEM	POWER#2-10~#2-15 #2-10~#2-15电源	=
			AUTHOR					+ CABINET_A
			CHECK					Page 8
MODIFY	DATE	NAME						12 Page / 55

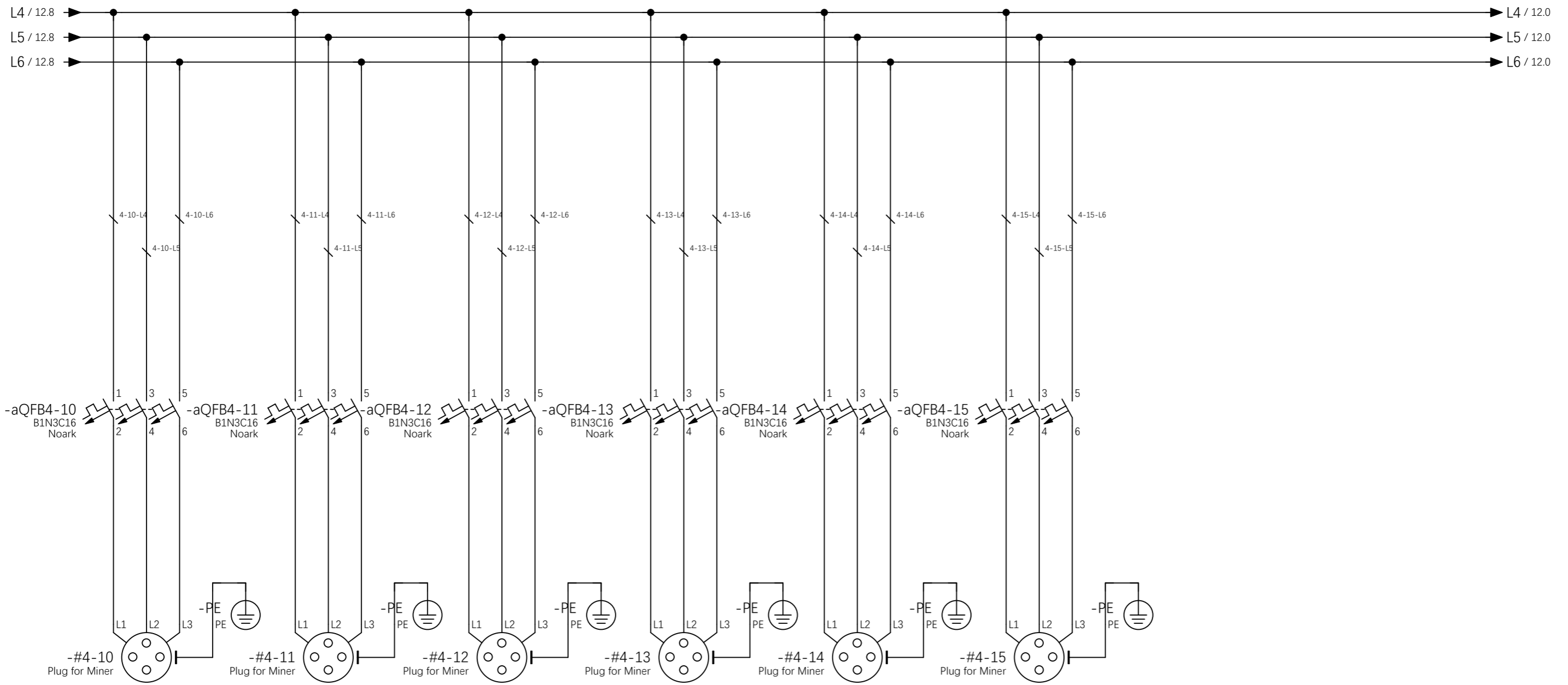


			DATE	2022/5/28	Jiangyin Juyuan Intelligent Technology Co., Ltd.	1MW MINER LIQUID COOLING SYSTEM	POWER#3-1~#3-9 #3-1~#3-9电源	=
			AUTHOR					+ CABINET_A
			CHECK					Page 9
MODIFY	DATE	NAME						13 Page /55

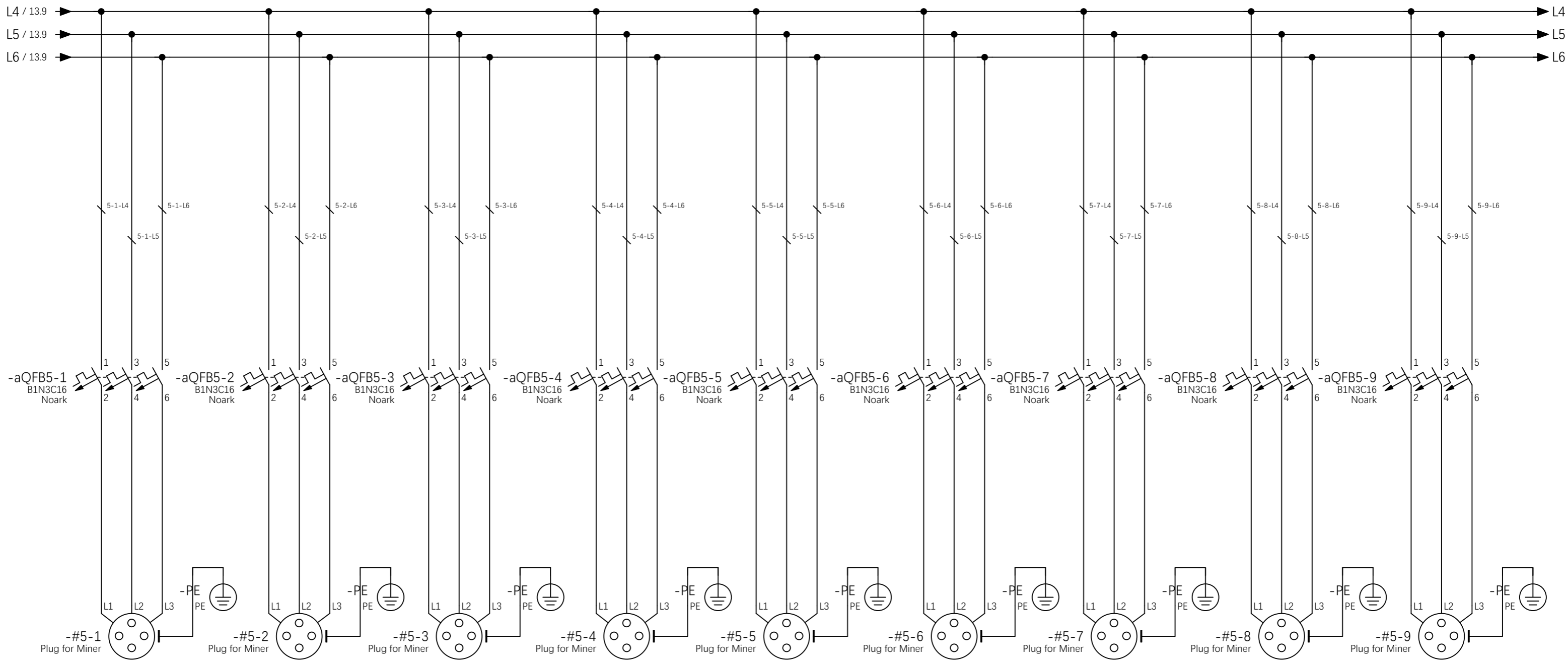




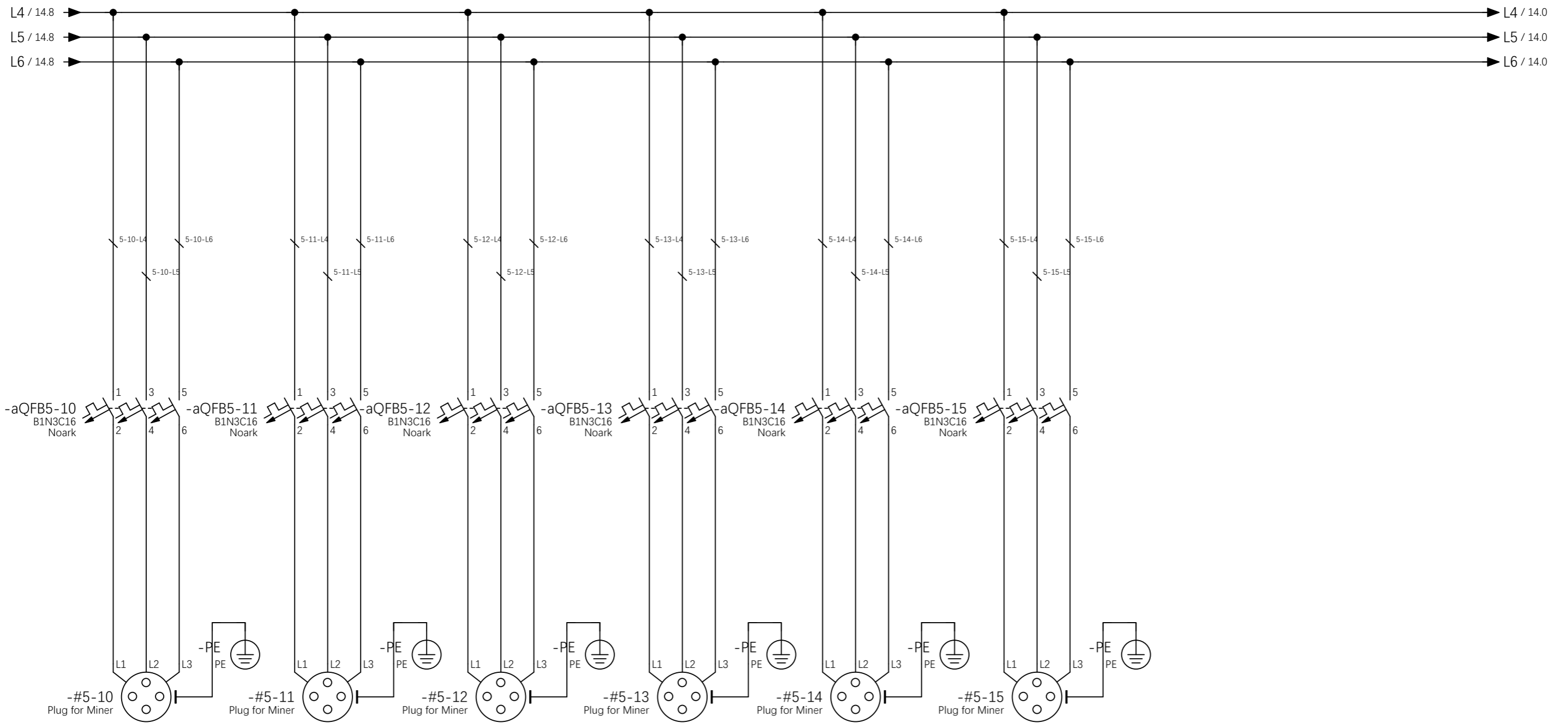
			DATE	2022/5/28	Jiangyin Juyuan Intelligent Technology Co., Ltd.	1MW MINER LIQUID COOLING SYSTEM	POWER#4-1~#4-9 #4-1~#4-9电源	=
			AUTHOR					+ CABINET_A
			CHECK					Page 11
MODIFY	DATE	NAME						15 Page /55



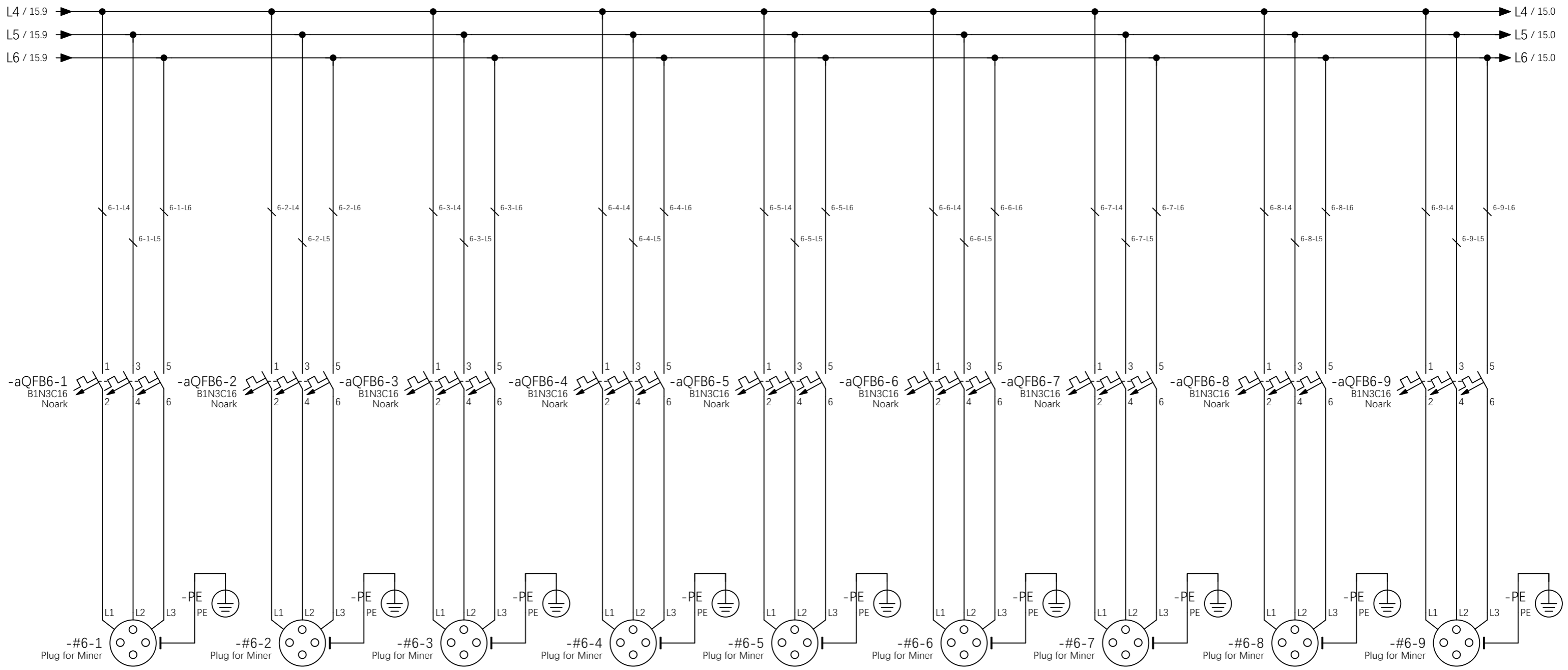
			DATE	2022/5/28	Jiangyin Juyuan Intelligent Technology Co., Ltd.	1MW MINER LIQUID COOLING SYSTEM	POWER#4-10~#4-15 #4-10~#4-15电源	=
			AUTHOR					+ CABINET_A
			CHECK					Page 12
MODIFY	DATE	NAME						16 Page /55



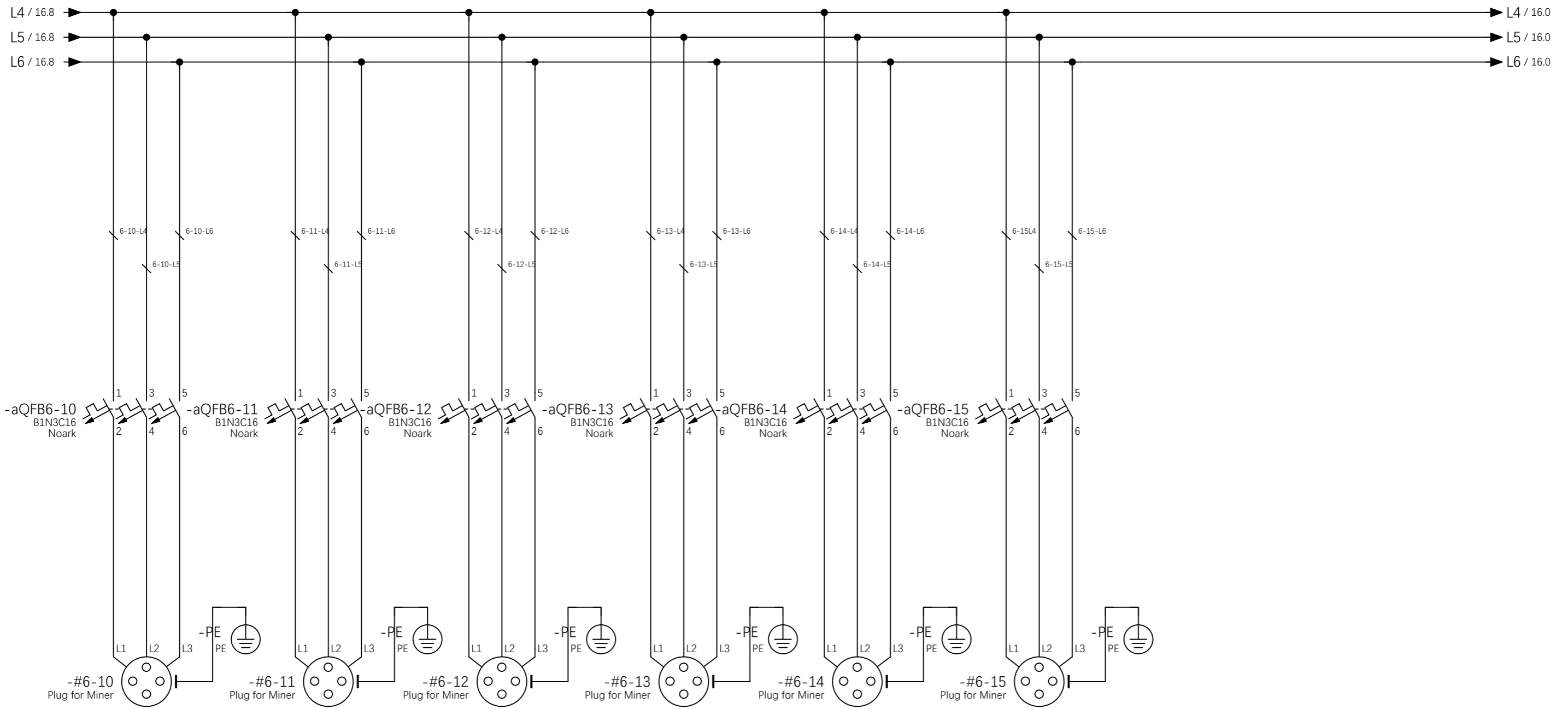
			DATE	2022/5/28	Jiangyin Juyuan Intelligent Technology Co., Ltd.	1MW MINER LIQUID COOLING SYSTEM	POWER#5-1~#5-9 #5-1~#5-9电源	=
			AUTHOR					+ CABINET_A
			CHECK					Page 13
MODIFY	DATE	NAME						17 Page /55



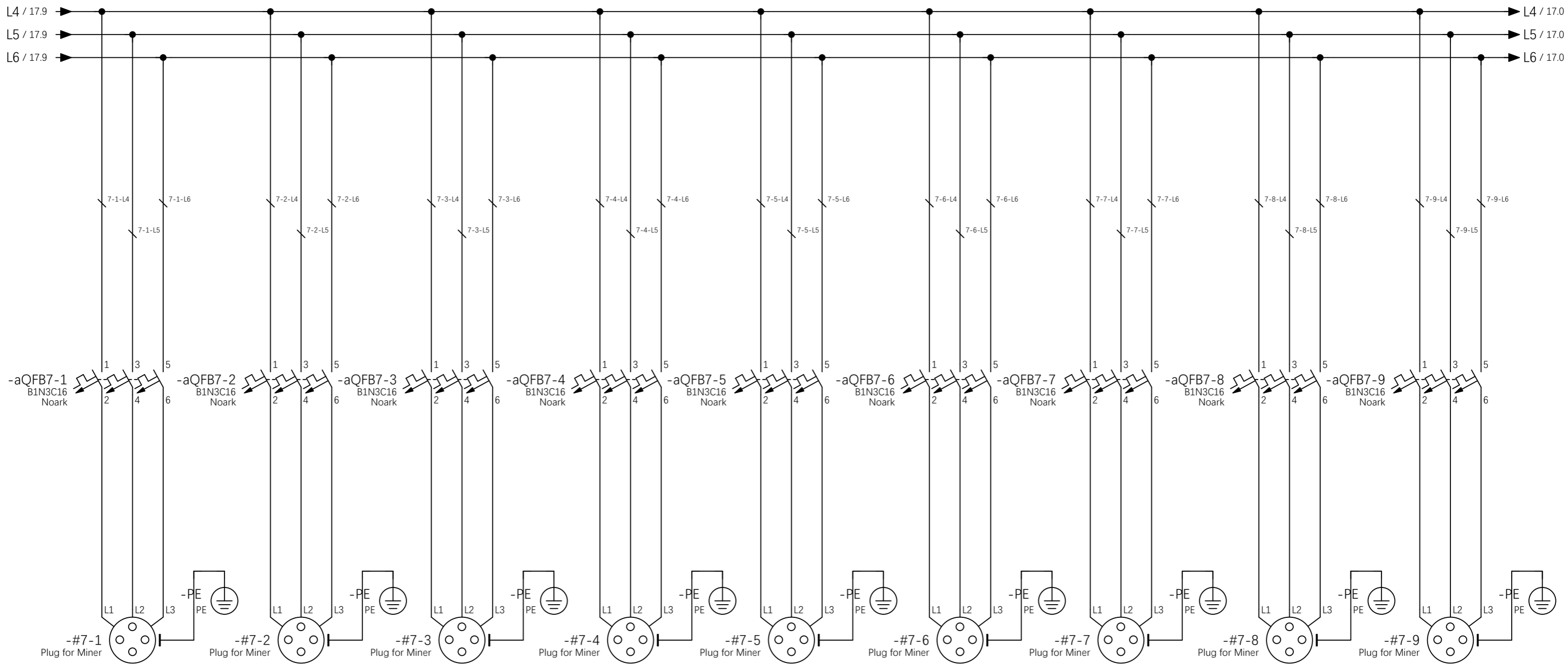
			DATE	2022/5/28	Jiangyin Juyuan Intelligent Technology Co., Ltd.	1MW MINER LIQUID COOLING SYSTEM	POWER#5-10~#5-15 #5-10~#5-15电源	=
			AUTHOR					+ CABINET_A
			CHECK					Page 14
MODIFY	DATE	NAME						18 Page /55



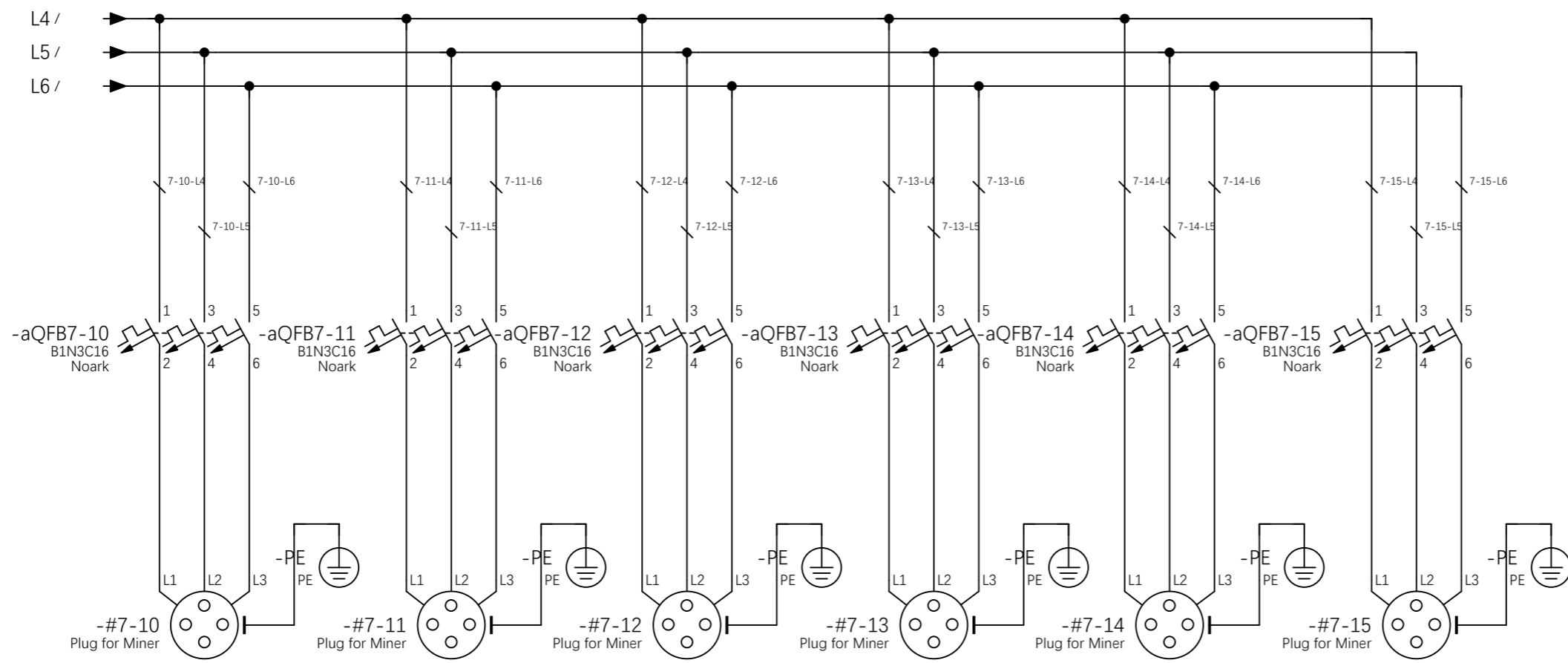
			DATE	2022/5/28	Jiangyin Juyuan Intelligent Technology Co., Ltd.	1MW MINER LIQUID COOLING SYSTEM	POWER#6-1~#6-9 #6-1~#6-9电源	=
			AUTHOR					+ CABINET_A
			CHECK					Page 15
MODIFY	DATE	NAME						19 Page / 55



			DATE	2022/5/28	Jiangyin Juyuan Intelligent Technology Co., Ltd.	1MW MINER LIQUID COOLING SYSTEM	POWER#6-10~#6-15 #6-10~#6-15电源	=
			AUTHOR					+ CABINET_A
			CHECK					Page 16
MODIFY	DATE	NAME						20 Page /55



			DATE	2022/5/28	Jiangyin Juyuan Intelligent Technology Co., Ltd.	1MW MINER LIQUID COOLING SYSTEM	POWER#7-1~#7-9 #7-1~#7-9电源	=
			AUTHOR					+ CABINET_A
			CHECK					Page 17
MODIFY	DATE	NAME						21 Page /55



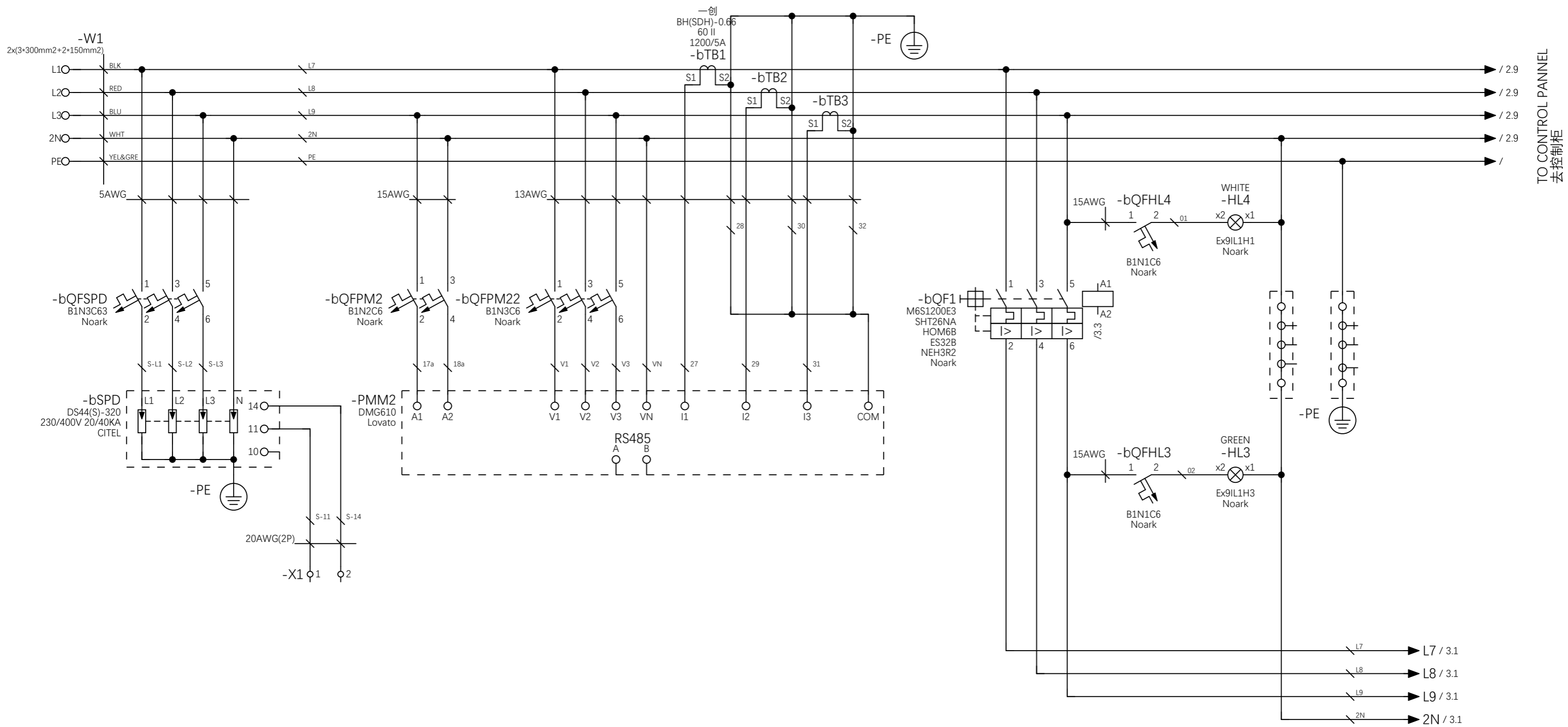
			DATE	2022/5/28	Jiangyin Juyuan Intelligent Technology Co., Ltd.	1MW MINER LIQUID COOLING SYSTEM	POWER#7-10~#7-15 #7-10~#7-15电源	=
			AUTHOR					+ CABINET_A
			CHECK					Page 18
MODIFY	DATE	NAME						22 Page /55

X1 端子排			
S-11	1	aSPD	防雷器信号
S-14	2		
蓝	3	TT41	
红	4		温度传感器
红	5		
08	6	aQFES	分励脱口线圈
07	7	aQF1	
04	8	ESB1-3	集装箱急停按钮
05	9	ESB1-4	
L13	10	aQFSW	交换机电源
2N	11		

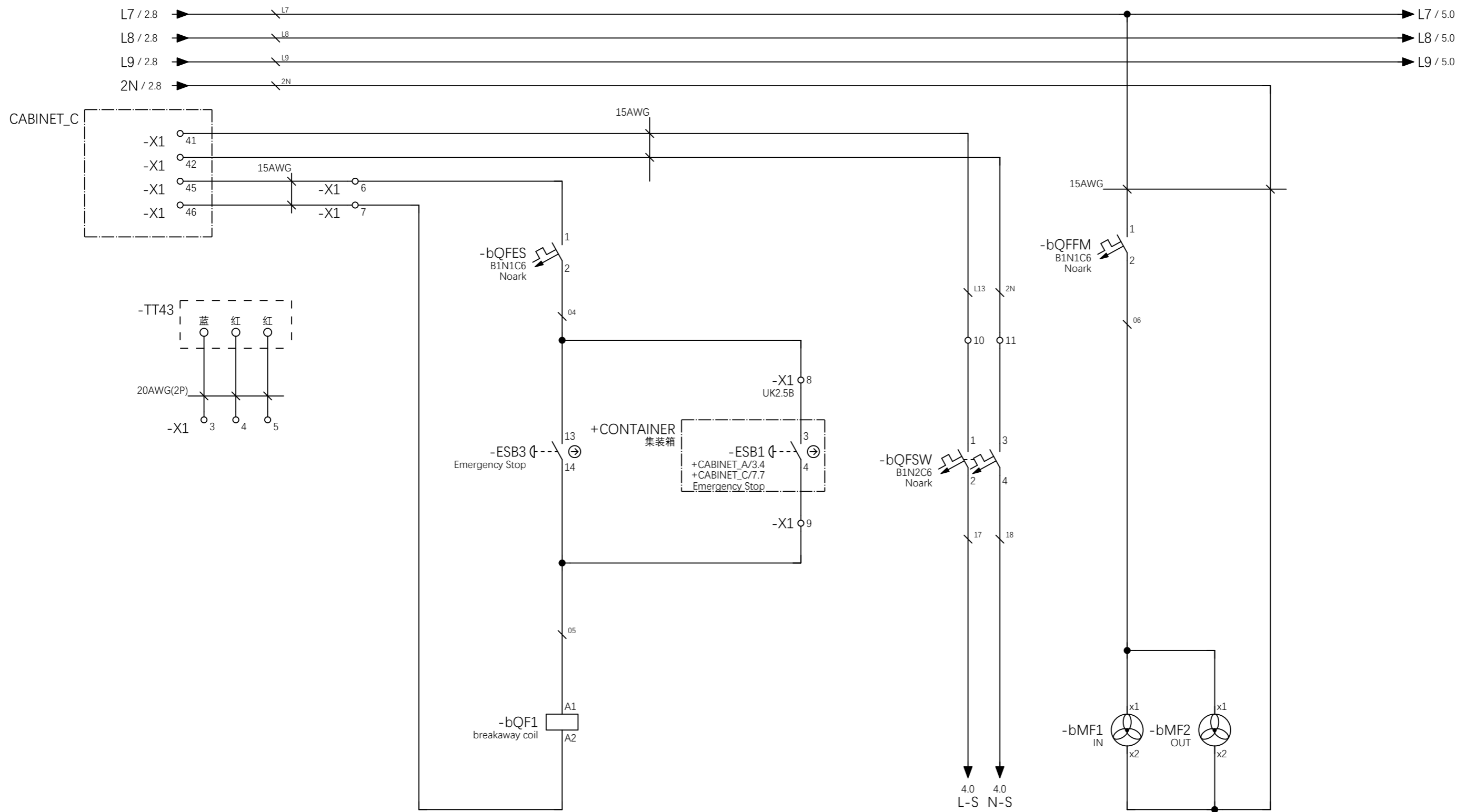
# CABINET\_B

Electrical schematic diagram  
JY-RD-03-21-06

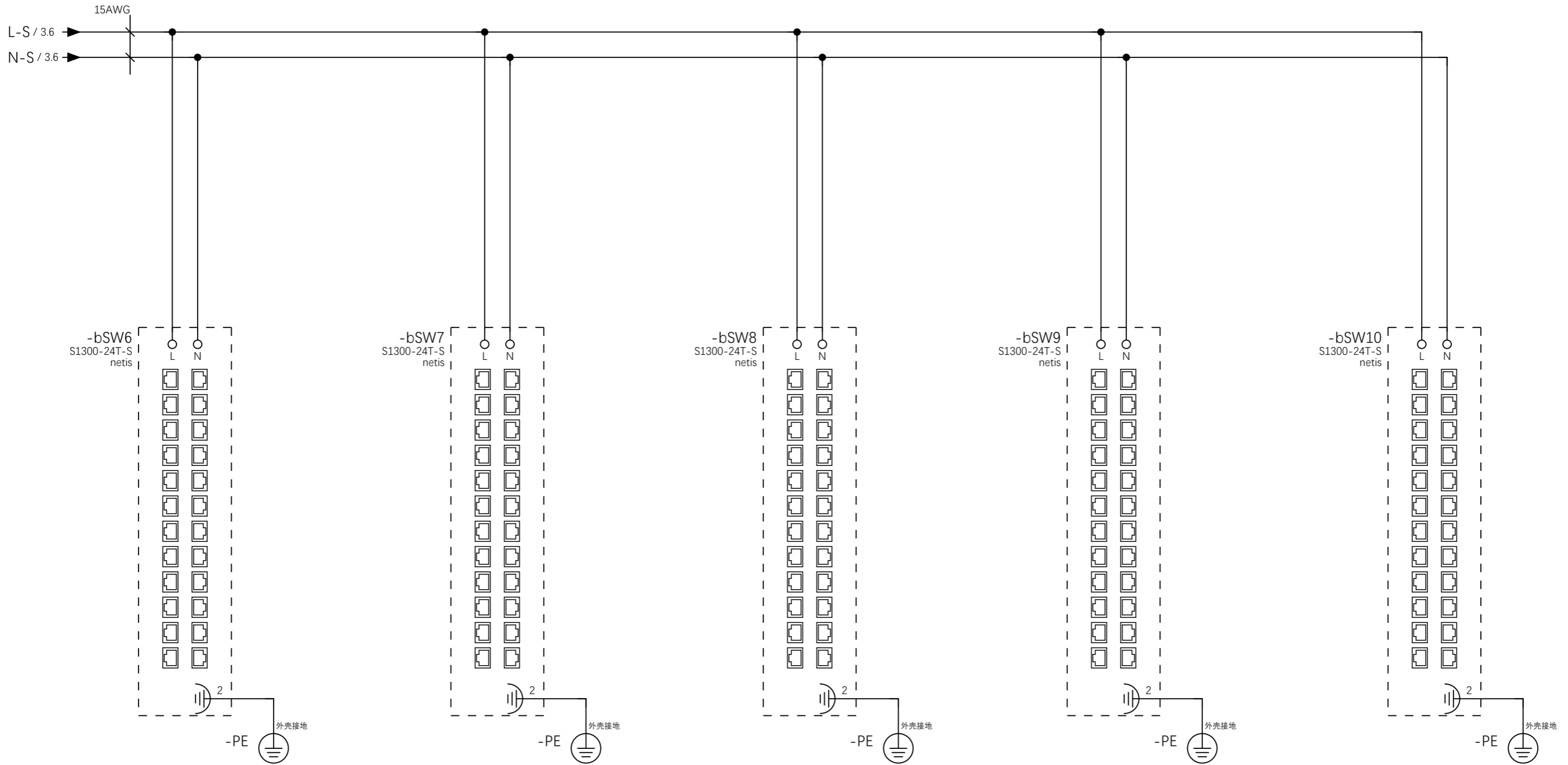
			DATE	2022/5/28	Jiangyin Juyuan Intelligent Technology Co., Ltd.	1MW MINER LIQUID COOLING SYSTEM	TITLE PAGE	=
			AUTHOR					+ CABINET_B
			CHECK					Page 1
MODIFY	DATE	NAME						24 Page / 55

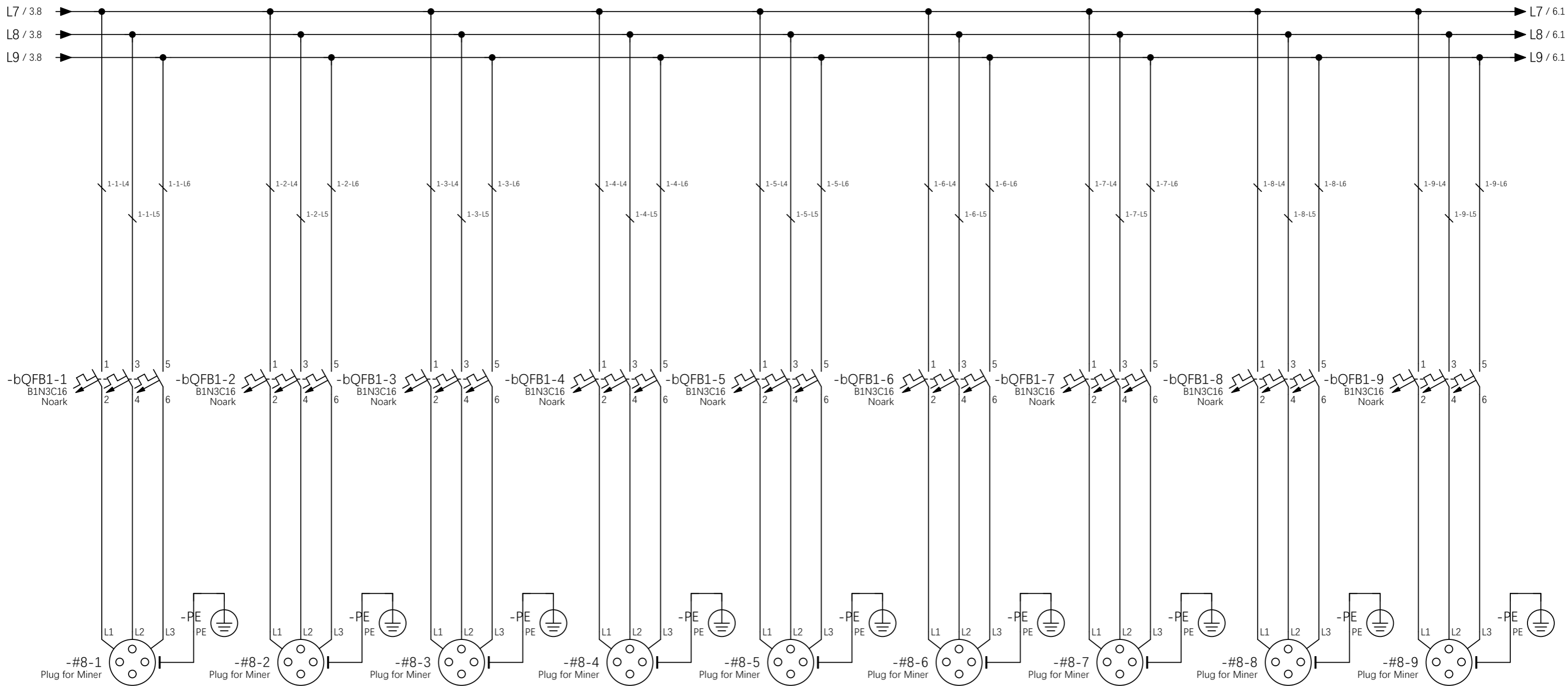


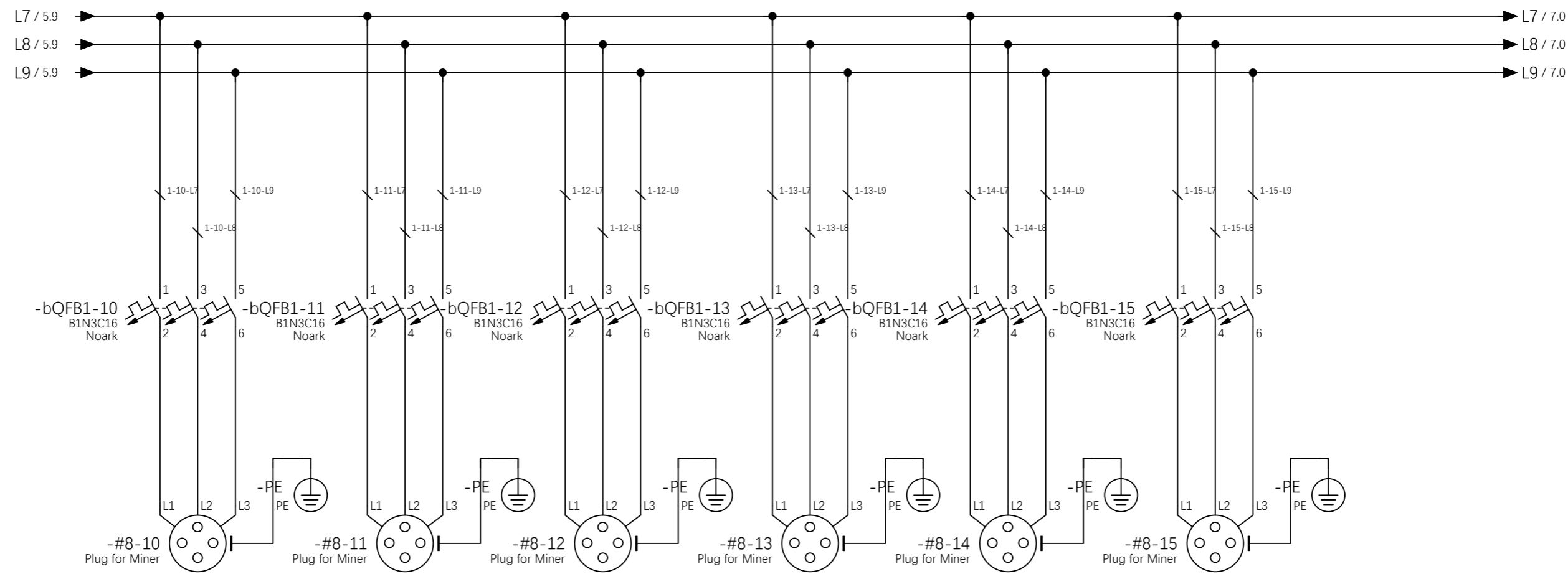
			DATE	2022/5/27	Jiangyin Juyuan Intelligent Technology Co., Ltd.	1MW MINER LIQUID COOLING SYSTEM	POWER 电源	=
			AUTHOR					+ CABINET_B
			CHECK					Page 2
MODIFY	DATE	NAME						25 Page / 55



			DATE	2022/5/28	Jiangyin Juyuan Intelligent Technology Co., Ltd.	1MW MINER LIQUID COOLING SYSTEM	TEMP SWITCH POWER ES 温度传感器 交换机电源 急停	=
			AUTHOR				+ CABINET_B	
			CHECK				Page	3
MODIFY	DATE	NAME					26	Page / 55

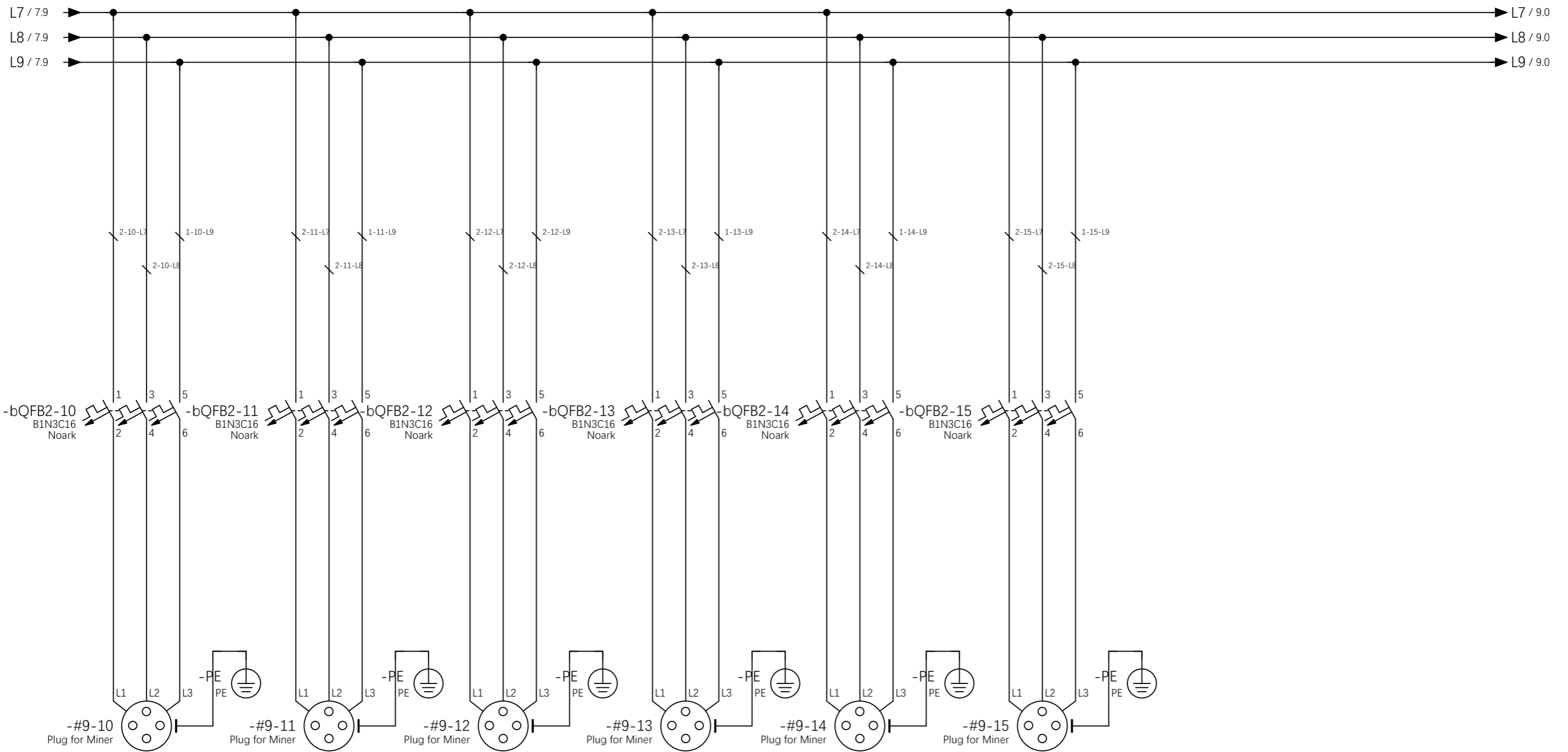




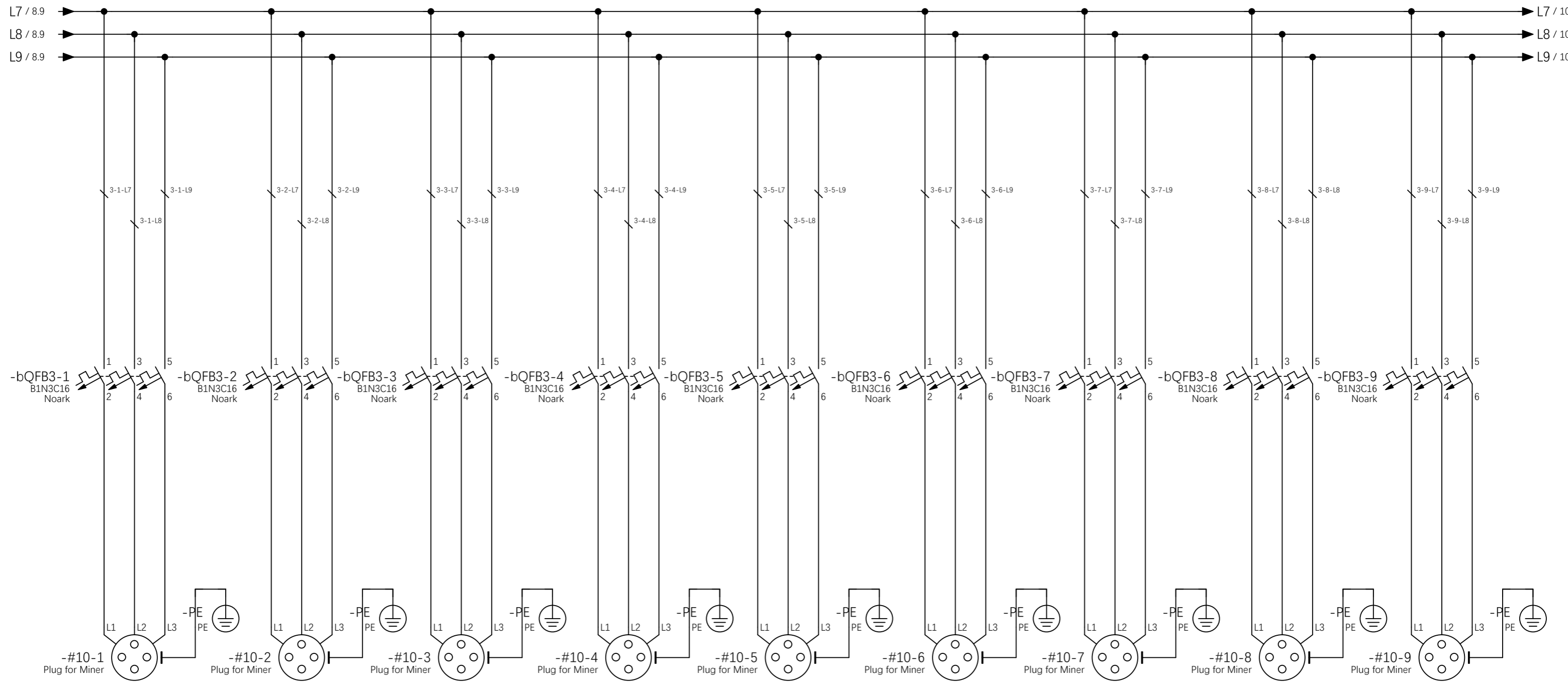


			DATE	2022/5/28	Jiangyin Juyuan Intelligent Technology Co., Ltd.	1MW MINER LIQUID COOLING SYSTEM	POWER#8-10~#8-15 #8-10~#8-15电源	=
			AUTHOR					+ CABINET_B
			CHECK					Page 6
MODIFY	DATE	NAME						29 Page / 55

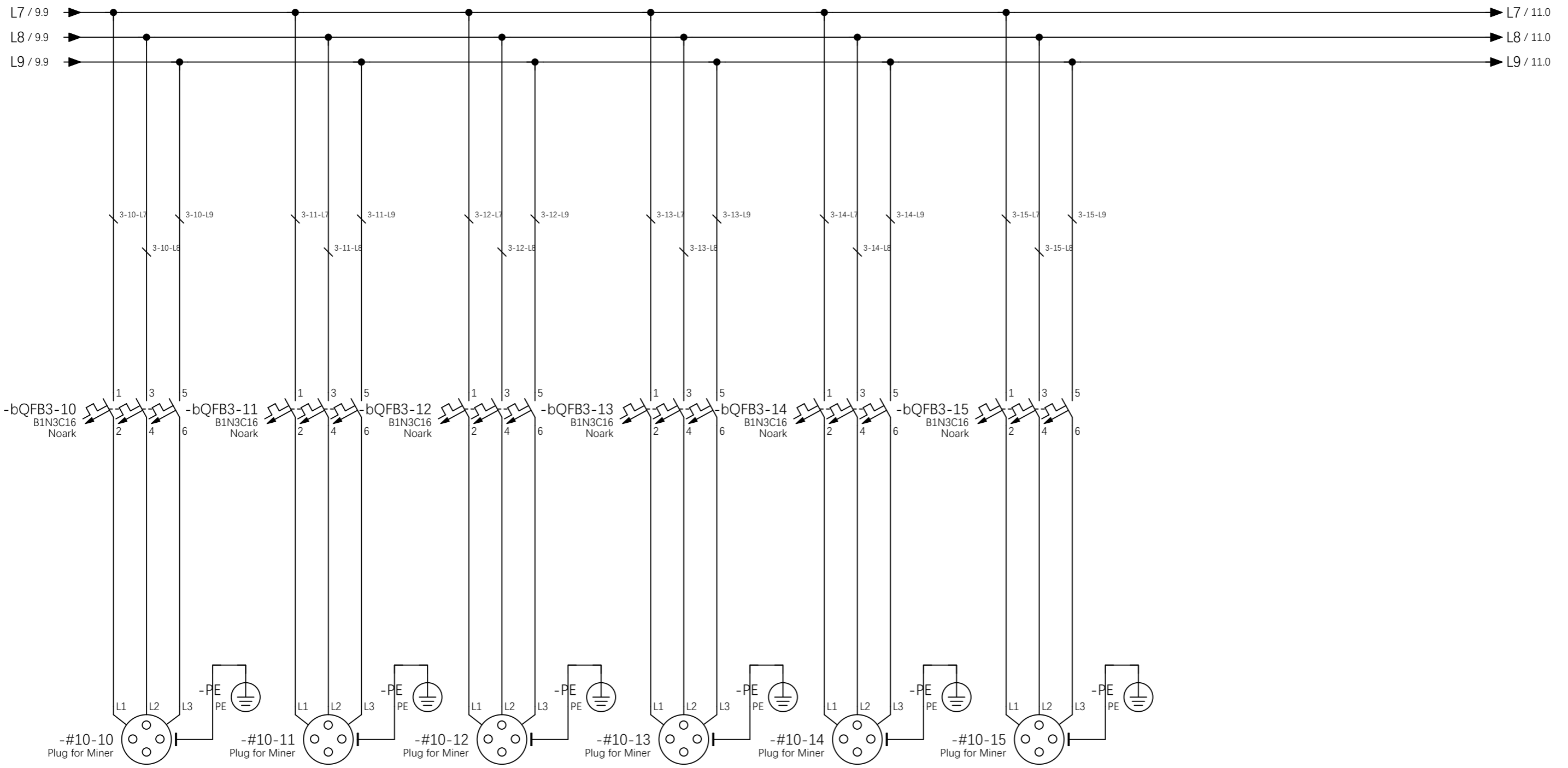




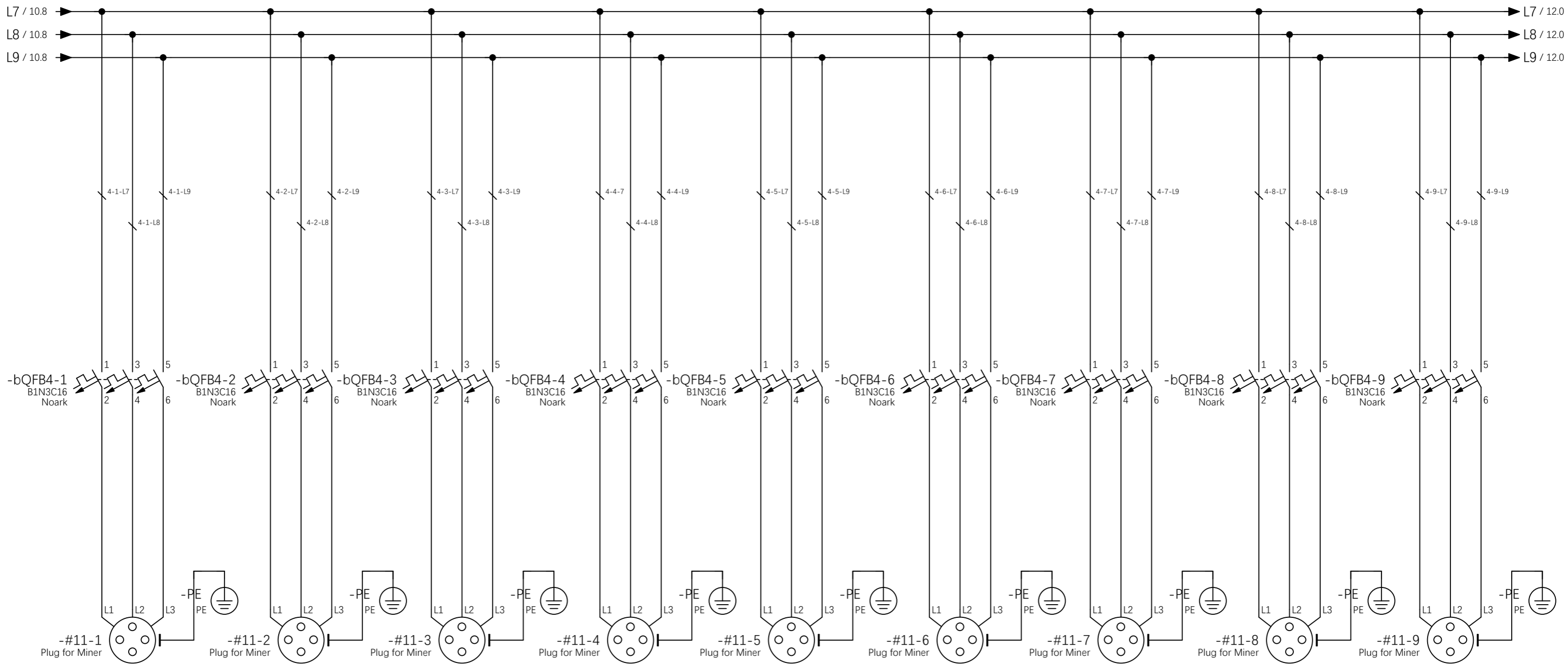
			DATE	2022/5/28	Jiangyin Juyuan Intelligent Technology Co., Ltd.	1MW MINER LIQUID COOLING SYSTEM	POWER#9-10~#9-15 #9-10~#9-15电源	=
			AUTHOR					+ CABINET_B
			CHECK					Page 8
MODIFY	DATE	NAME						31 Page / 55



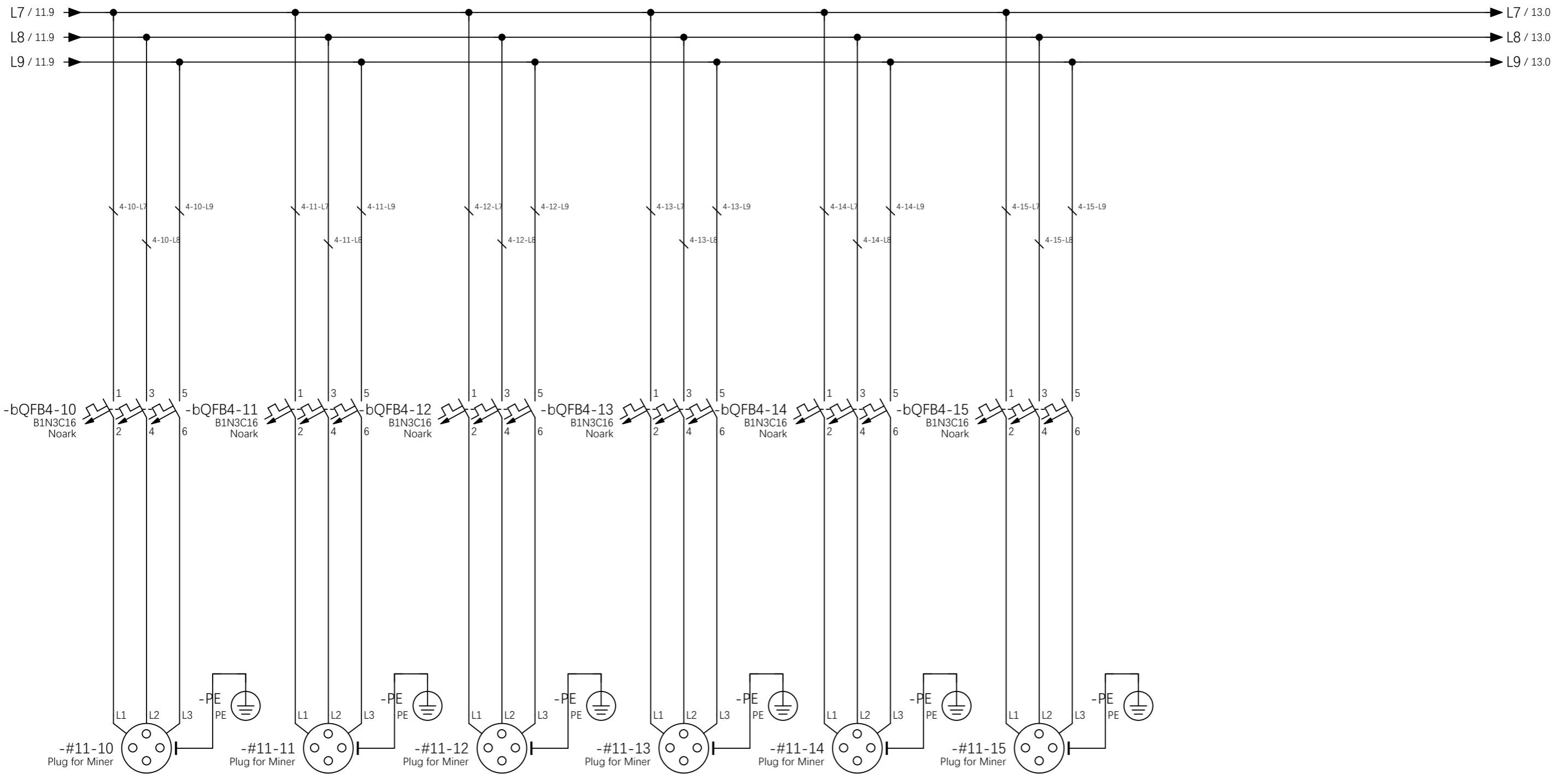
			DATE	2022/5/28	Jiangyin Juyuan Intelligent Technology Co., Ltd.	1MW MINER LIQUID COOLING SYSTEM	POWER#10-1~#10-9 #10-1~#10-9电源	=
			AUTHOR					+ CABINET_B
			CHECK					Page 9
MODIFY	DATE	NAME						32 Page /55



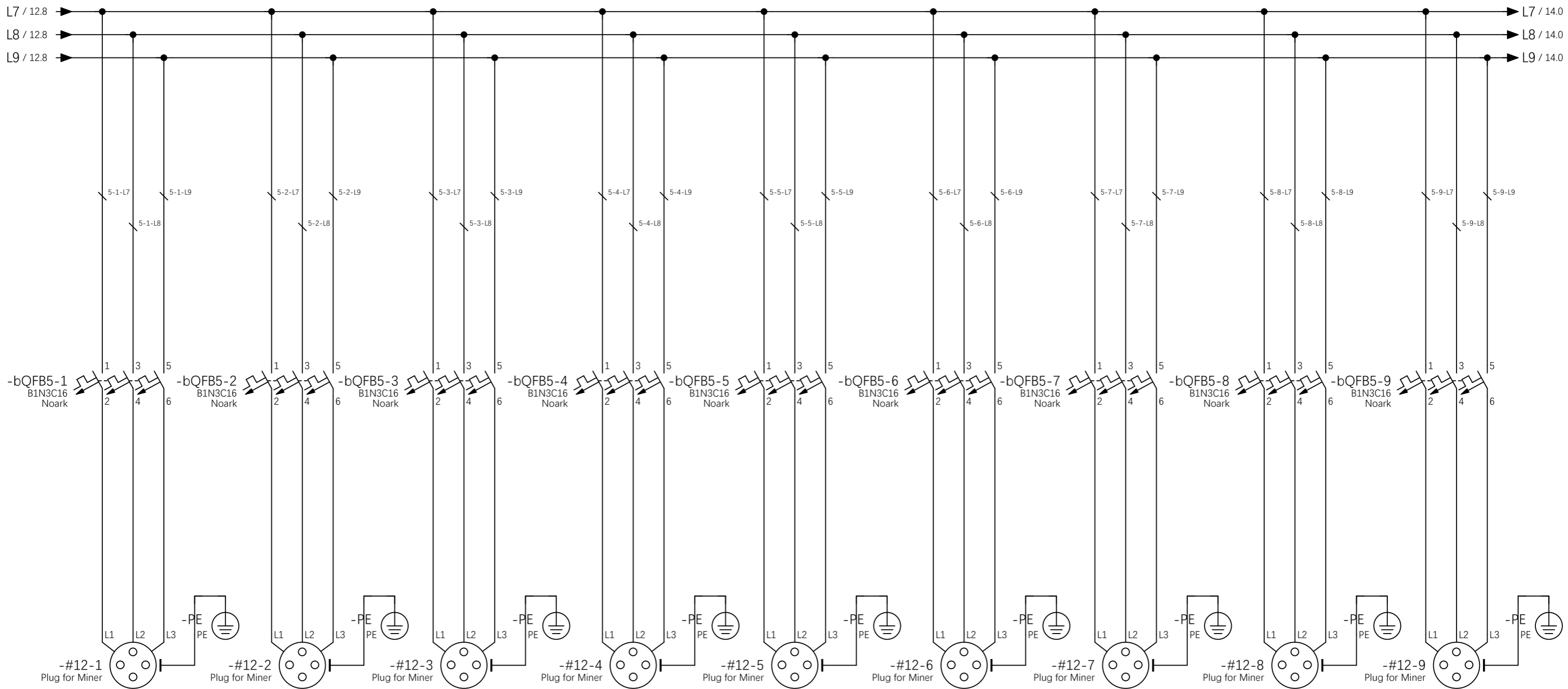
			DATE	2022/5/28	Jiangyin Juyuan Intelligent Technology Co., Ltd.	1MW MINER LIQUID COOLING SYSTEM	POWER#10-10~#10-15 #10-10~#10-15电源	=
			AUTHOR					+ CABINET_B
			CHECK					Page 10
MODIFY	DATE	NAME						33 Page /55



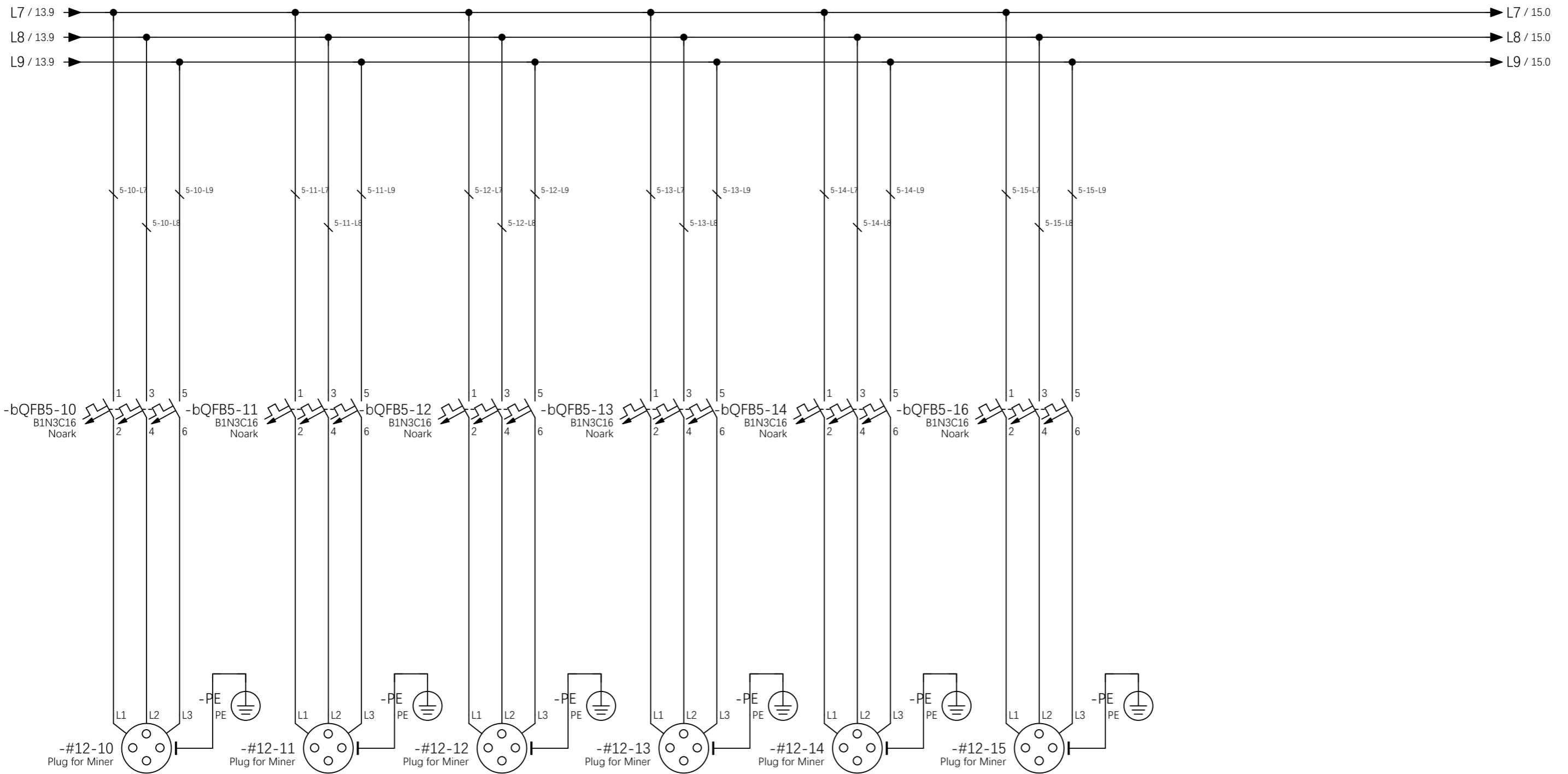
			DATE	2022/5/28	Jiangyin Juyuan Intelligent Technology Co., Ltd.	1MW MINER LIQUID COOLING SYSTEM	POWER#11-1~#11-9 #11-1~#11-9电源	=
			AUTHOR					+ CABINET_B
			CHECK					Page 11
MODIFY	DATE	NAME						34 Page / 55



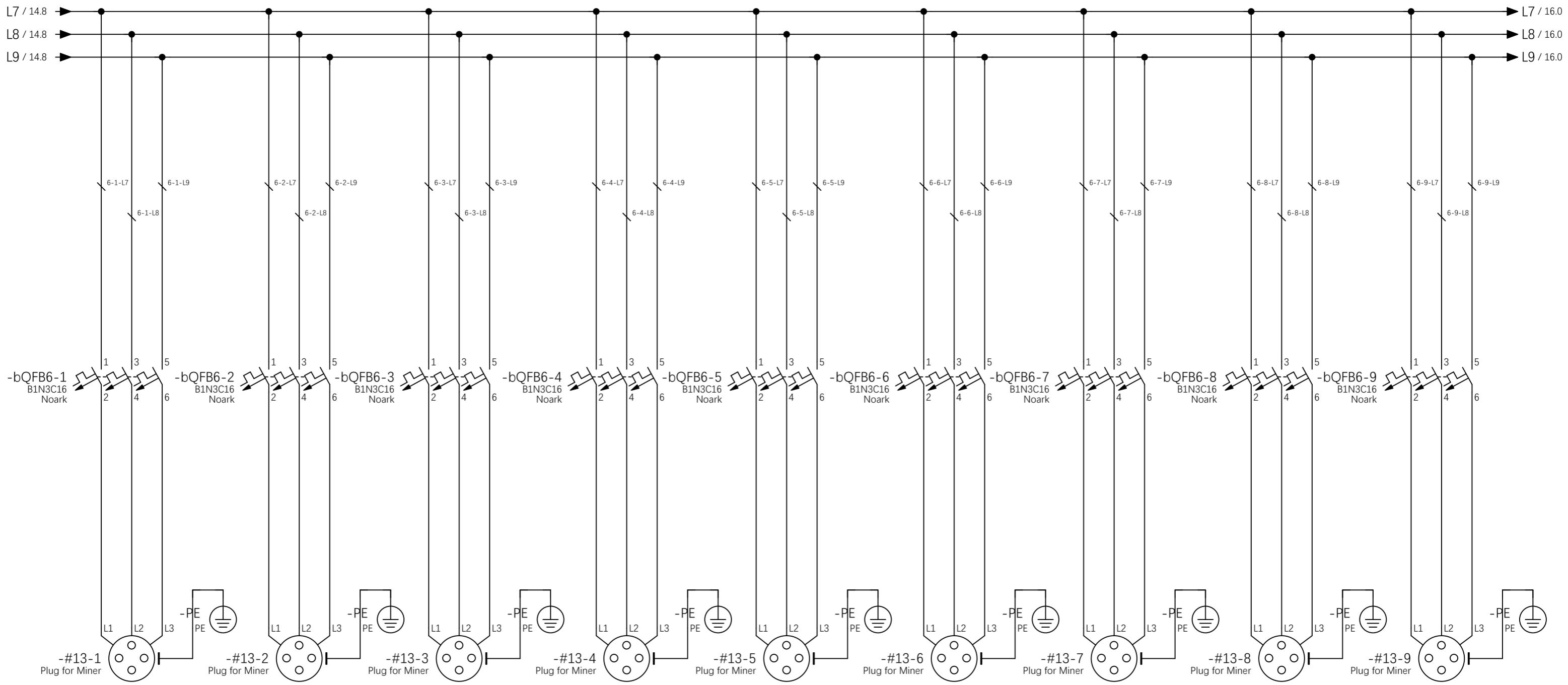
			DATE	2022/5/28	Jiangyin Juyuan Intelligent Technology Co., Ltd.	1MW MINER LIQUID COOLING SYSTEM	POWER#11-10~#11-15 #11-10~#11-15电源	=
			AUTHOR					+ CABINET_B
			CHECK					Page 12
MODIFY	DATE	NAME						35 Page /55



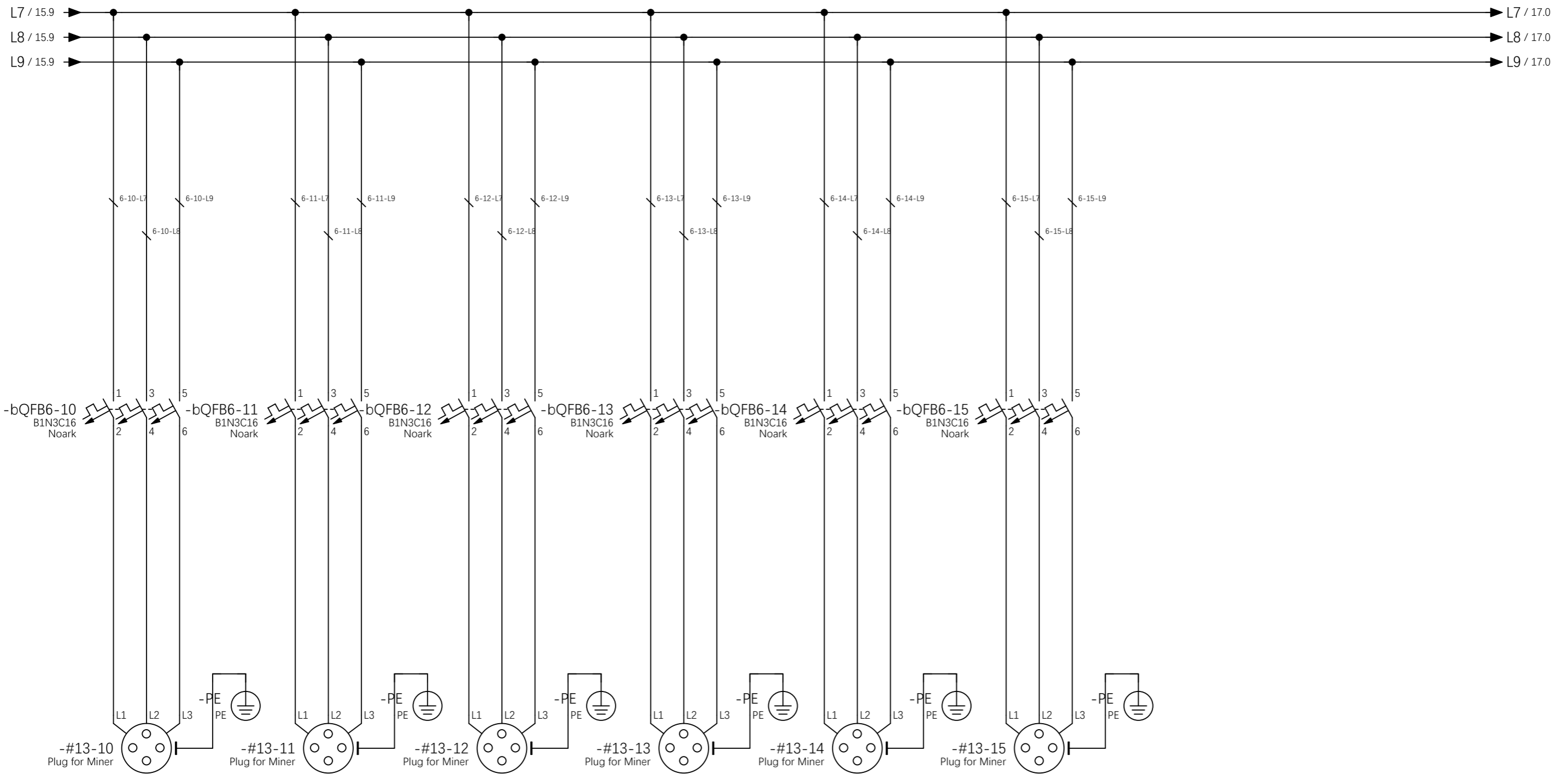
			DATE	2022/5/28	Jiangyin Juyuan Intelligent Technology Co., Ltd.	1MW MINER LIQUID COOLING SYSTEM	POWER#12-1~#12-9 #12-1~#12-9电源	=
			AUTHOR					+ CABINET_B
			CHECK					Page 13
MODIFY	DATE	NAME						36 Page /55



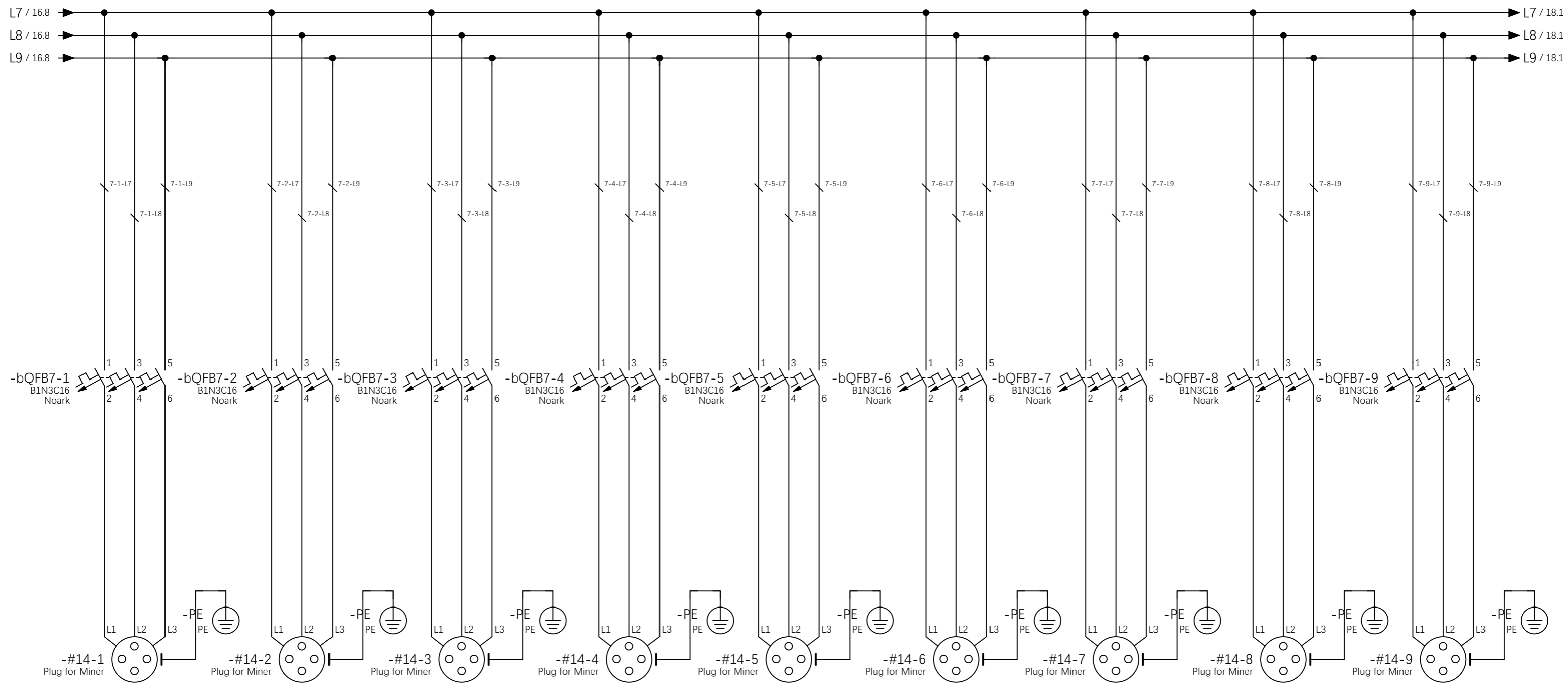
			DATE	2022/5/28	Jiangyin Juyuan Intelligent Technology Co., Ltd.	1MW MINER LIQUID COOLING SYSTEM	POWER#12-10~#12-15 #12-10~#12-15电源	=
			AUTHOR					+ CABINET_B
			CHECK					Page 14
MODIFY	DATE	NAME						37 Page / 55



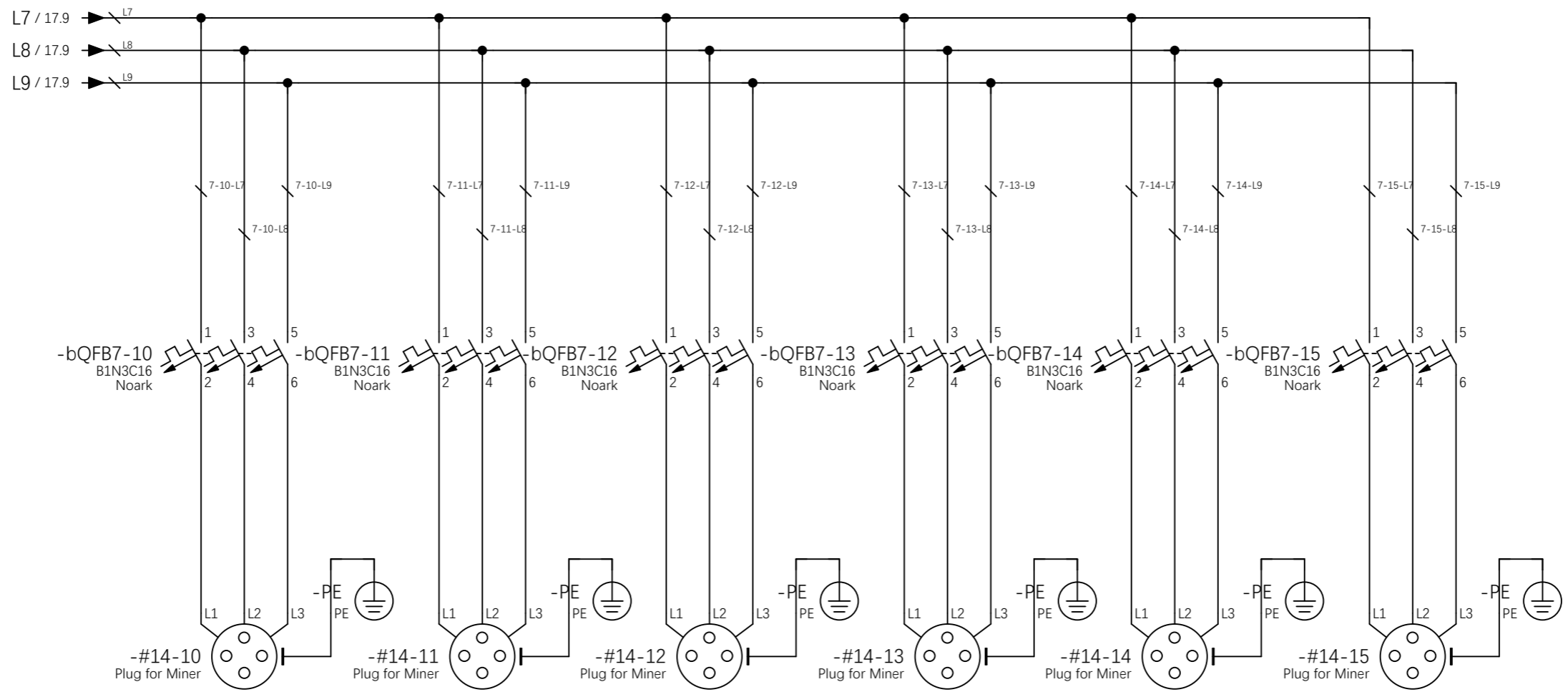
			DATE	2022/5/28	Jiangyin Juyuan Intelligent Technology Co., Ltd.	1MW MINER LIQUID COOLING SYSTEM	POWER#13-1~#13-9 #13-1~#13-9电源	=
			AUTHOR					+ CABINET_B
			CHECK					Page 15
MODIFY	DATE	NAME					38 Page / 55	



			DATE	2022/5/28	Jiangyin Juyuan Intelligent Technology Co., Ltd.	1MW MINER LIQUID COOLING SYSTEM	POWER#13-10~#13-15 #13-10~#13-15电源	=
			AUTHOR					+ CABINET_B
			CHECK					Page 16
MODIFY	DATE	NAME						39 Page / 55



			DATE	2022/5/28	Jiangyin Juyuan Intelligent Technology Co., Ltd.	1MW MINER LIQUID COOLING SYSTEM	POWER#14-1~#14-9 #14-1~#14-9电源	=
			AUTHOR					+ CABINET_B
			CHECK					Page 17
MODIFY	DATE	NAME						40 Page /55



			DATE	2022/5/28	Jiangyin Juyuan Intelligent Technology Co., Ltd.	1MW MINER LIQUID COOLING SYSTEM	POWER#14-10~#14-15 #14-10~#14-15电源	=
			AUTHOR					+ CABINET_B
			CHECK					Page 18
MODIFY	DATE	NAME						41 Page / 55

X1 端子排			
S-11	1	bSPD	防雷器信号
S-14	2		
蓝	3	TT43	
红	4		温度传感器
红	5		
08	6	bQFES	分励脱扣线圈
07	7	bQF1	
04	8	ESB1-3	集装箱急停按钮
05	9	ESB1-4	
L13	10	bQFSW	交换机电源
2N	11		

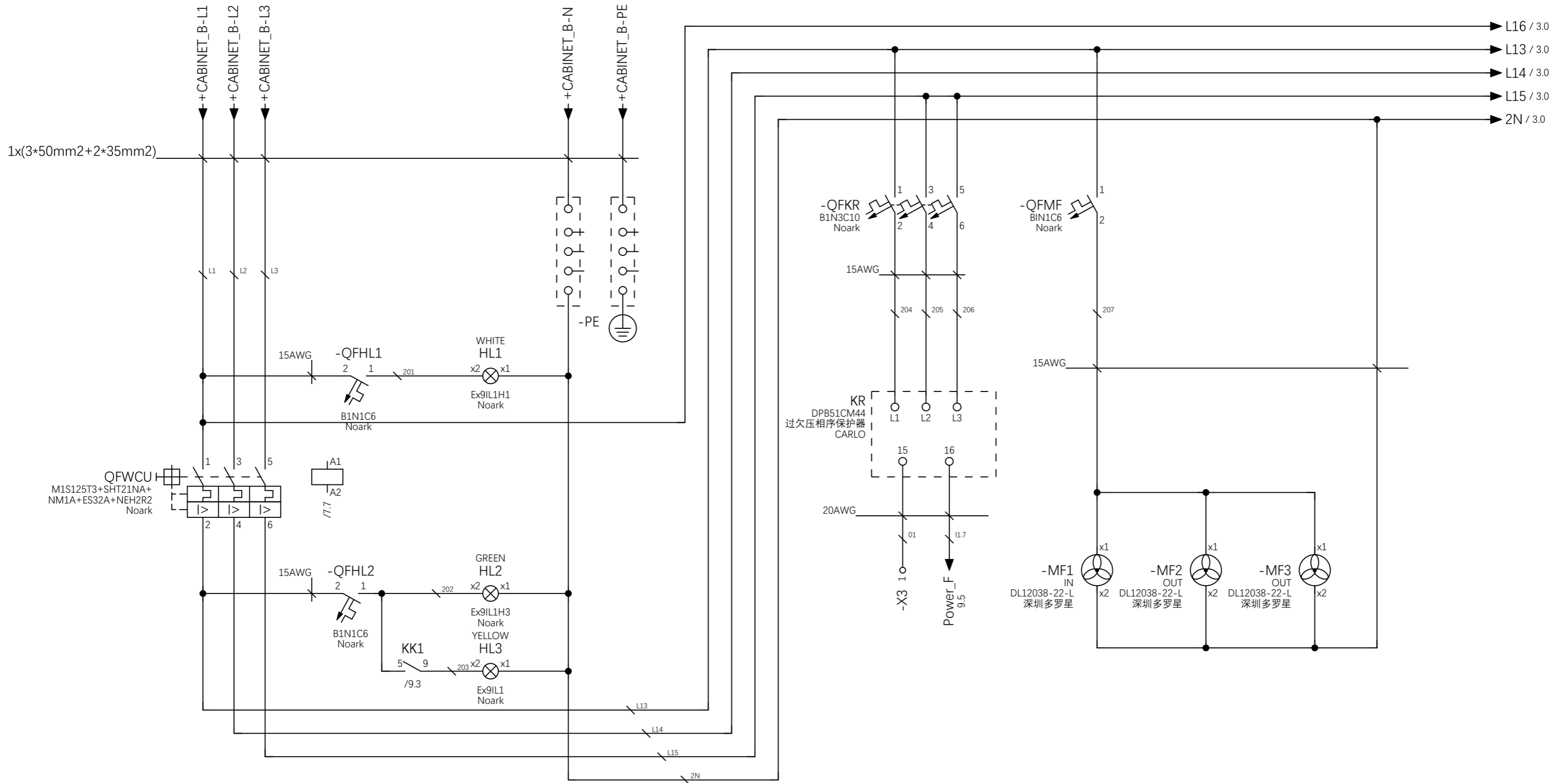
# CONTROL CABINET

Electrical schematic diagram

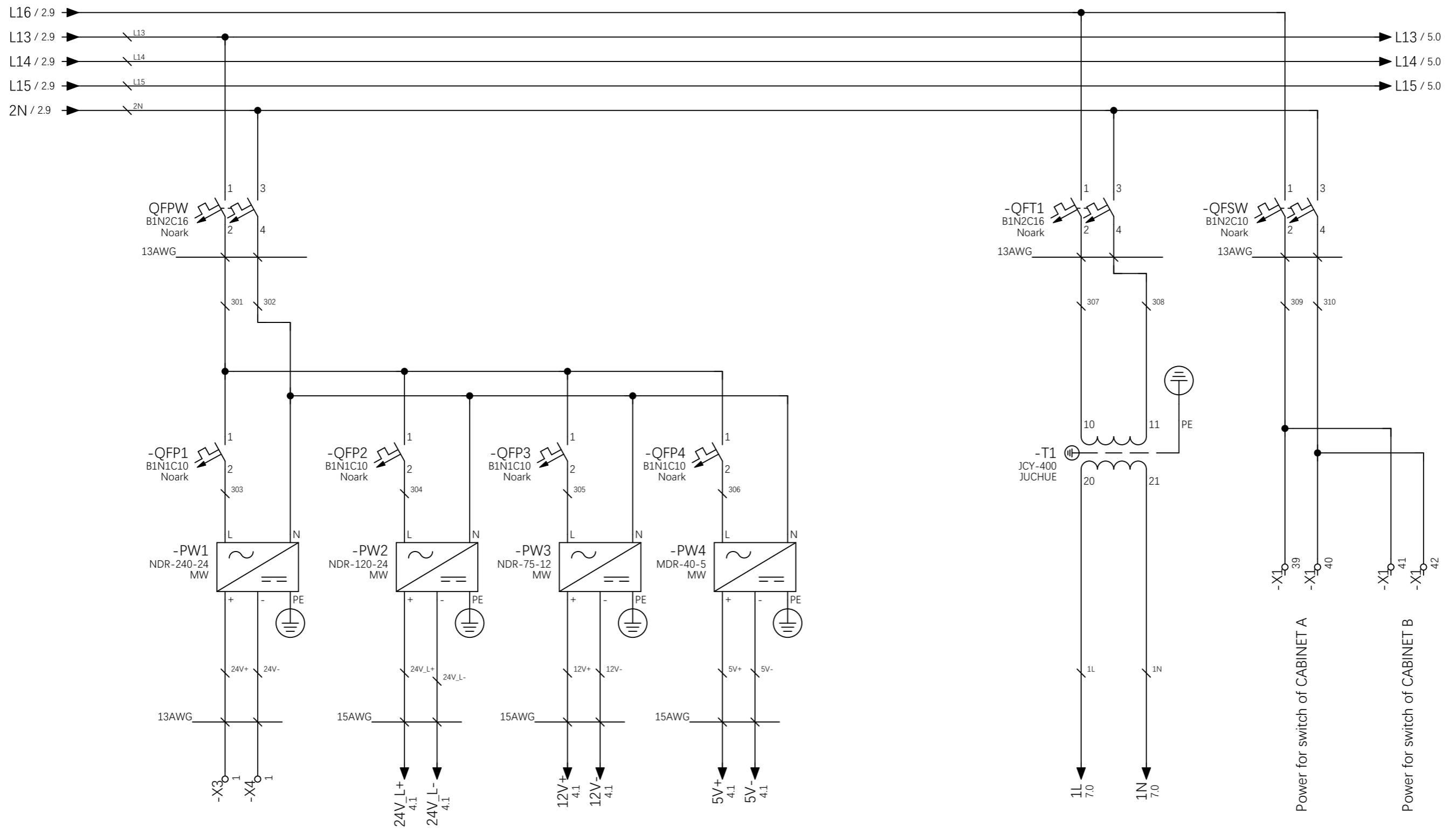
JY-RD-03-21-07

			DATE	2022/5/27	Jiangyin Juyuan Intelligent Technology Co., Ltd.	1MW MINER LIQUID COOLING SYSTEM	TITLE PAGE	=
			AUTHOR					+ CABINET_C
			CHECK					Page 1
MODIFY	DATE	NAME						43 Page /55

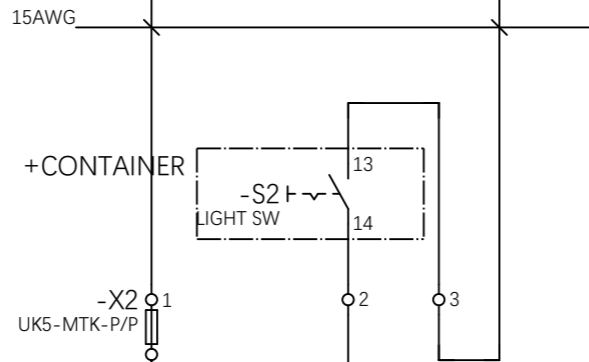
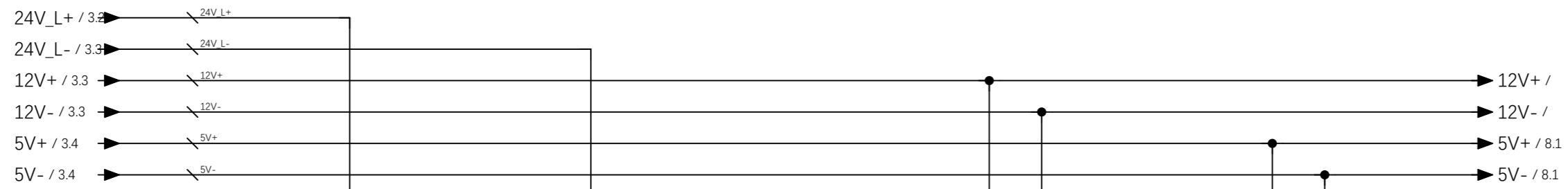
FROM CABINET\_B  
取自配电柜B



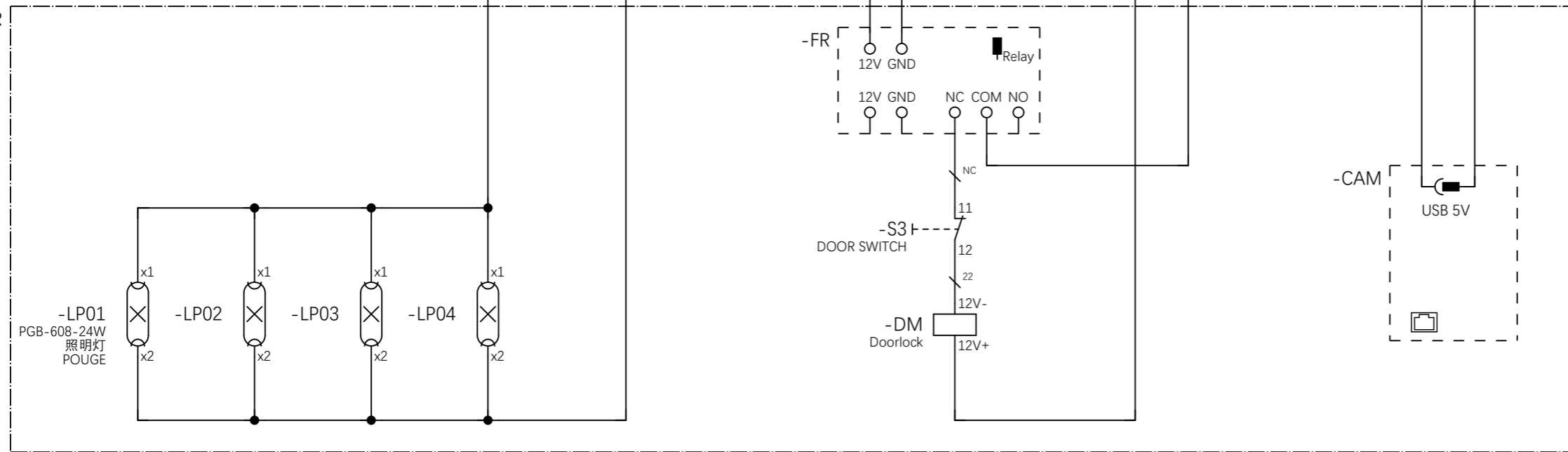
			DATE	2022/5/14	Jiangyin Juyuan Intelligent Technology Co., Ltd.	1MW MINER LIQUID COOLING SYSTEM	POWER 电源	=	
			AUTHOR					+ CABINET_C	
			CHECK					Page 2	
MODIFY	DATE	NAME							44 Page / 55



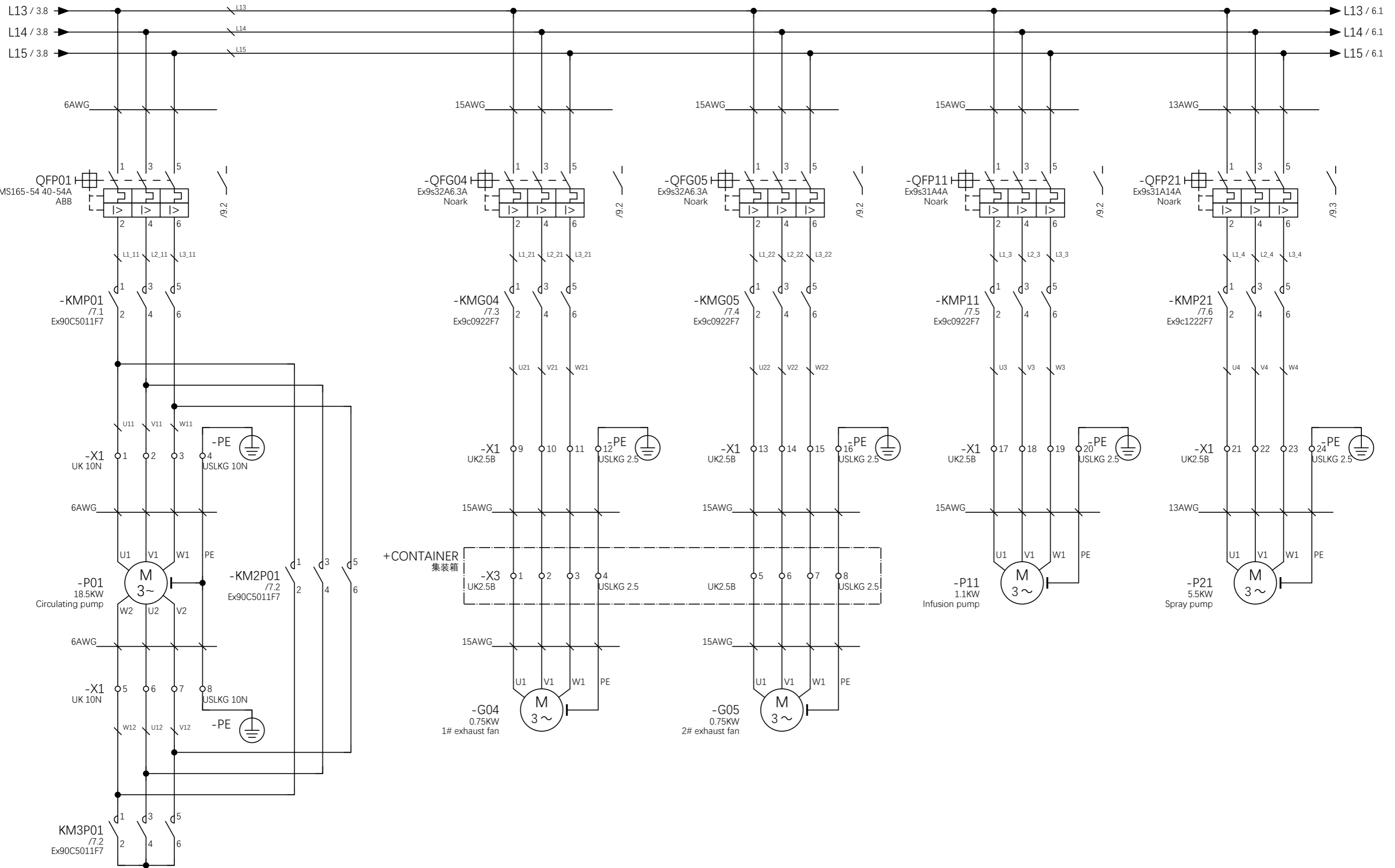
2			DATE	2022/5/23	Jiangyin Juyuan Intelligent Technology Co., Ltd.	1MW MINER LIQUID COOLING SYSTEM	POWER TRANSFORMER 开关电源 变压器	=
			AUTHOR					+ CABINET_C
			CHECK					Page 3
MODIFY	DATE	NAME						45 Page / 55



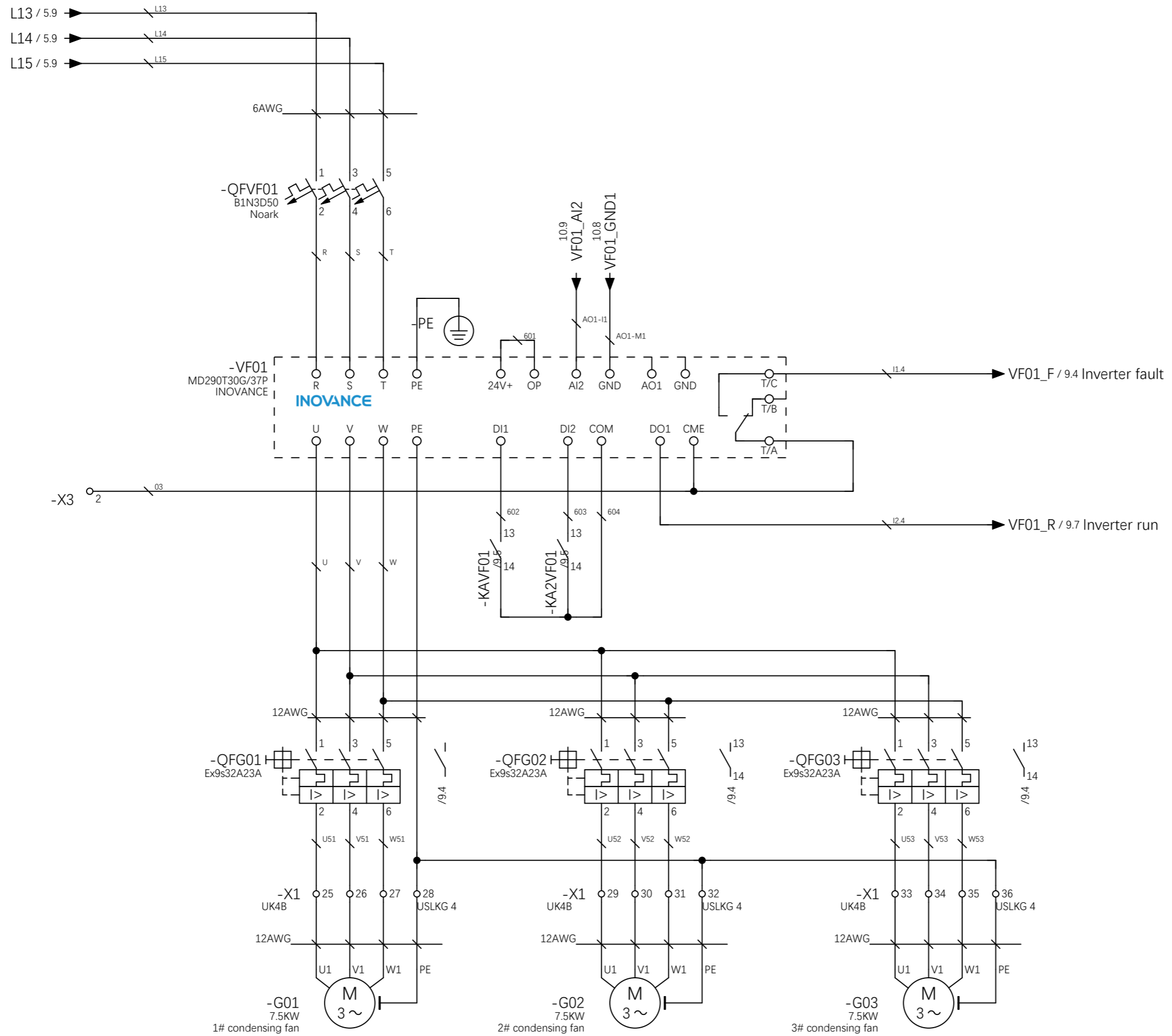
+CONTAINER



			DATE	2022/5/24	Jiangyin Juyuan Intelligent Technology Co., Ltd.	1MW MINER LIQUID COOLING SYSTEM	LIGHTING FACDID CAMERA 照明 人脸识别 摄像头	=
			AUTHOR					+ CABINET_C
			CHECK					Page 4
MODIFY	DATE	NAME						46 Page / 55

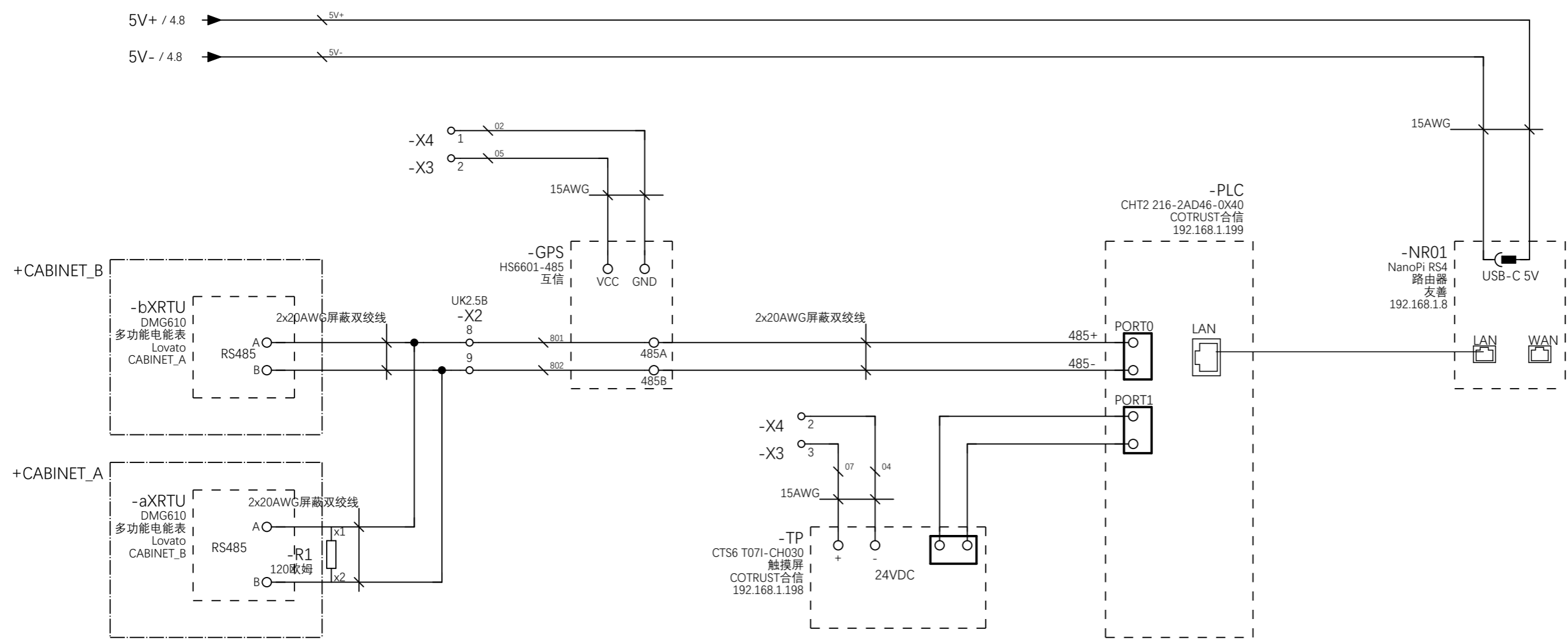


			DATE	2022/5/14	Jiangyin Juyuan Intelligent Technology Co., Ltd.	1MW MINER LIQUID COOLING SYSTEM	MOTORS 电机	=	
			AUTHOR					+ CABINET_C	
			CHECK					Page 5	
MODIFY	DATE	NAME							47 Page / 55

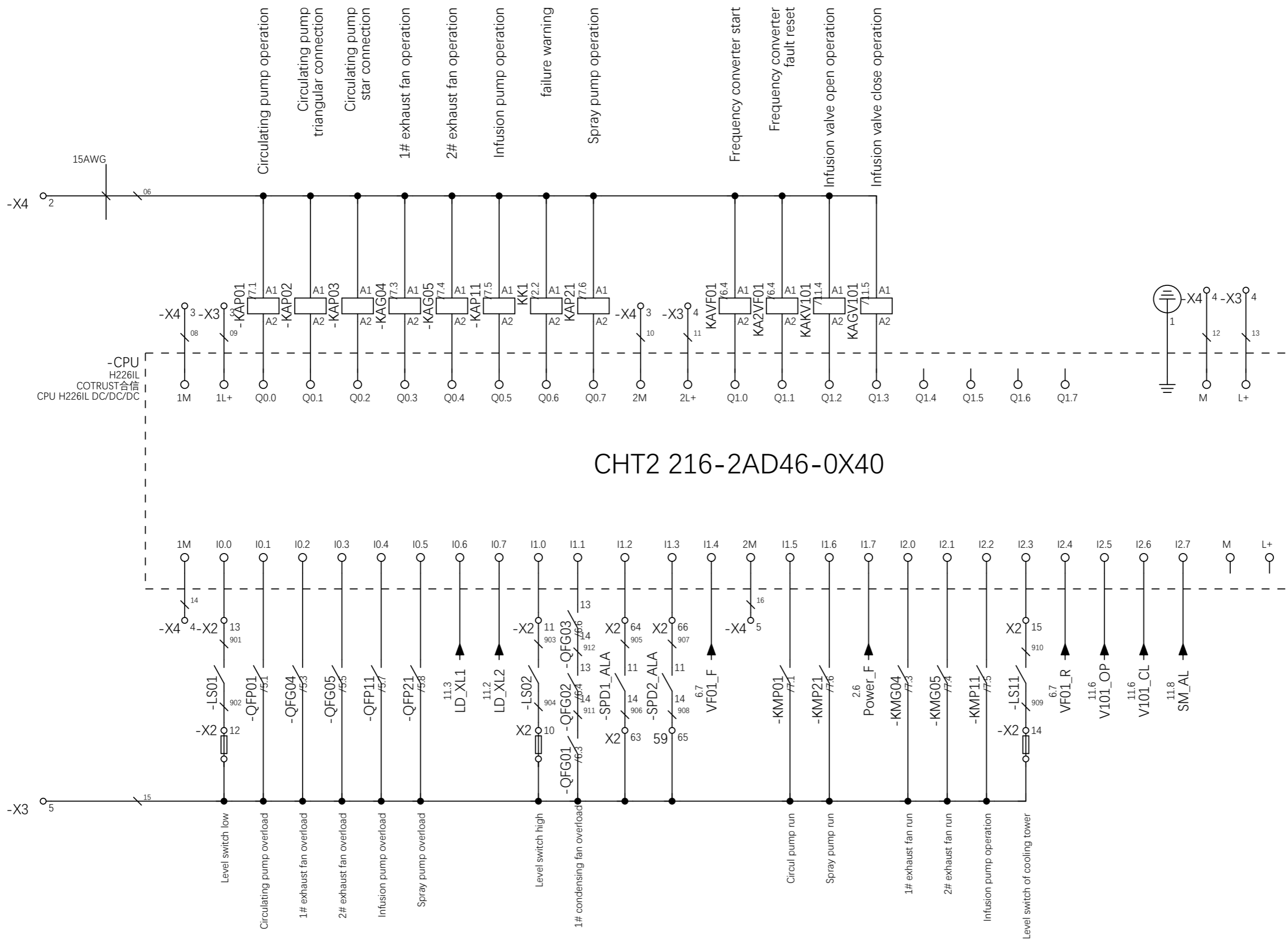


变频器参数设置	
参数代码	设定值
F0-02	1
F0-03	3
J9跳线	电流
F0-10	60
F0-12	60
F1-02	415
F1-03	45
F1-04	60
F4-01	9
F4-02	4
F4-18	2
F4-20	9.99



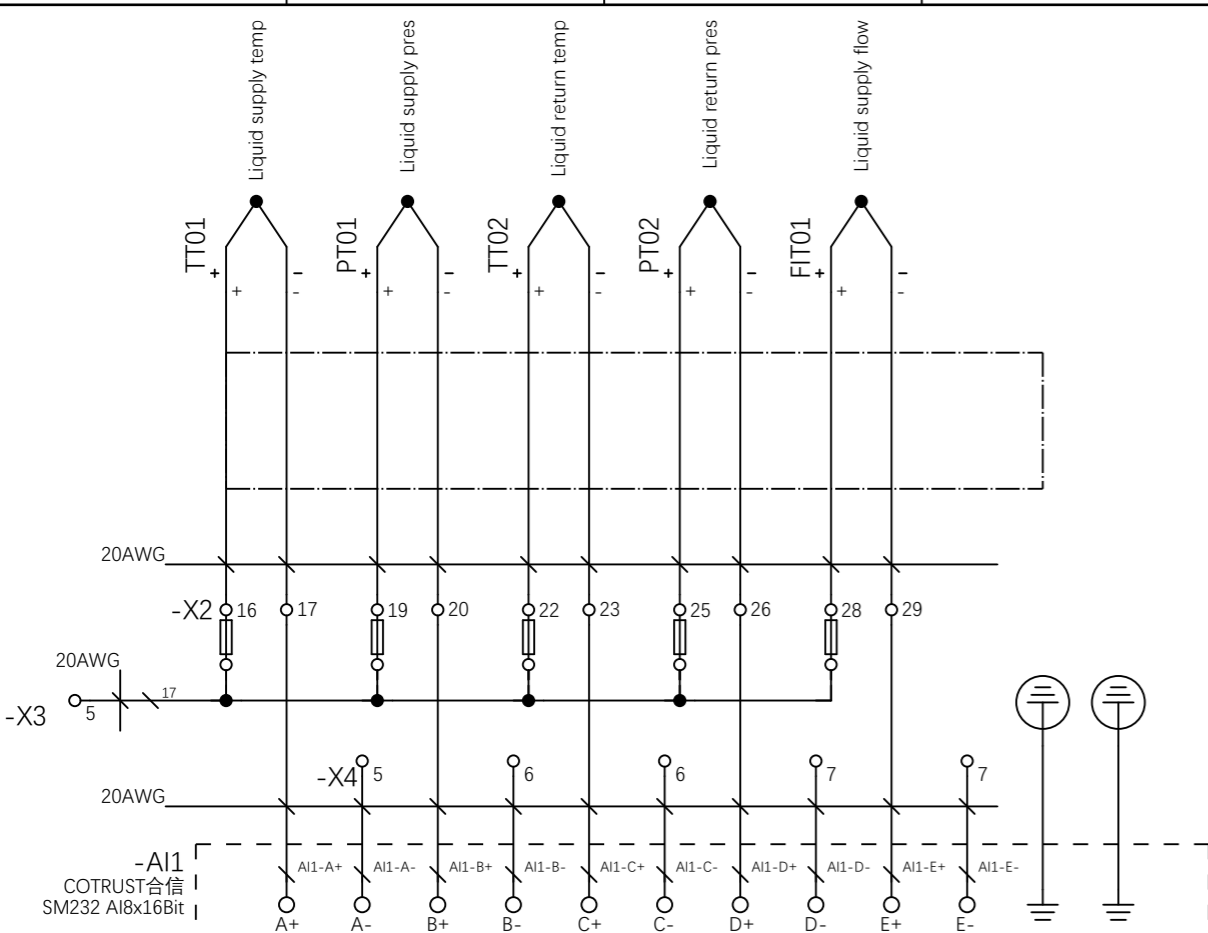


			DATE	2022/5/15	Jiangyin Juyuan Intelligent Technology Co., Ltd.	1MW MINER LIQUID COOLING SYSTEM	PLC&COMMULATION PLC和通讯	=
			AUTHOR					+ CABINET_C
			CHECK					Page 8
MODIFY	DATE	NAME						50 Page /55

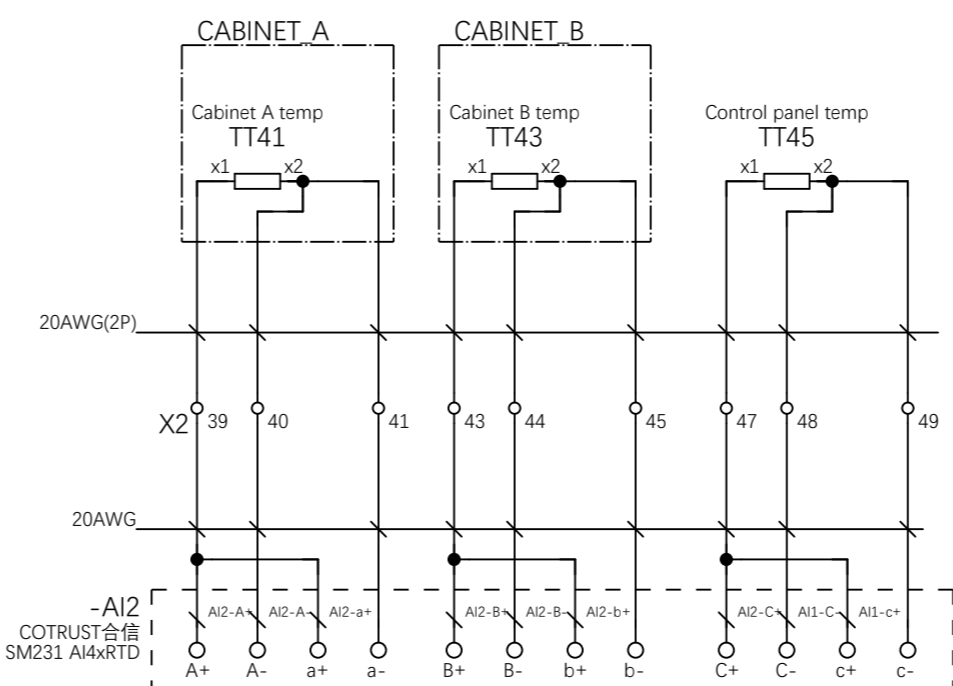


CHT2 216-2AD46-0X40

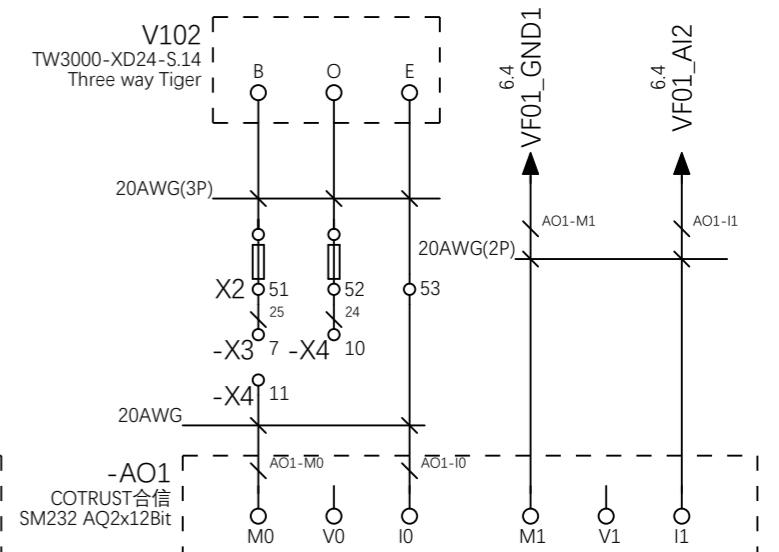
			DATE	2022/7/12	Jiangyin Juyuan Intelligent Technology Co., Ltd.	1MW MINER LIQUID COOLING SYSTEM	合信PLC	=
			AUTHOR					+ CABINET_C
			CHECK					Page 9
MODIFY	DATE	NAME						51 Page /55



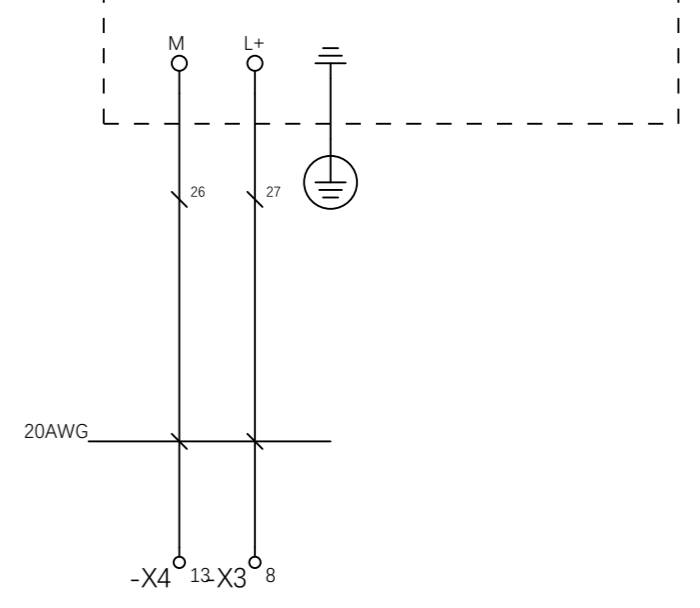
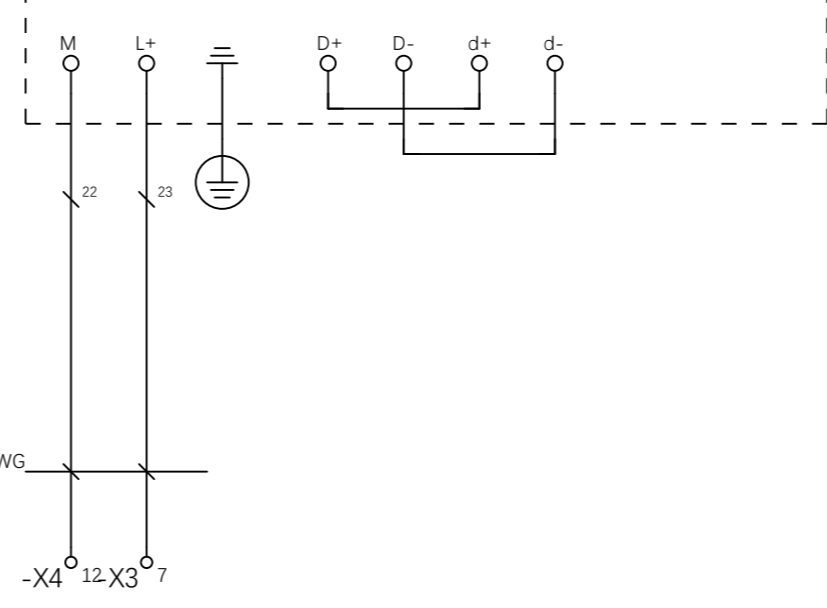
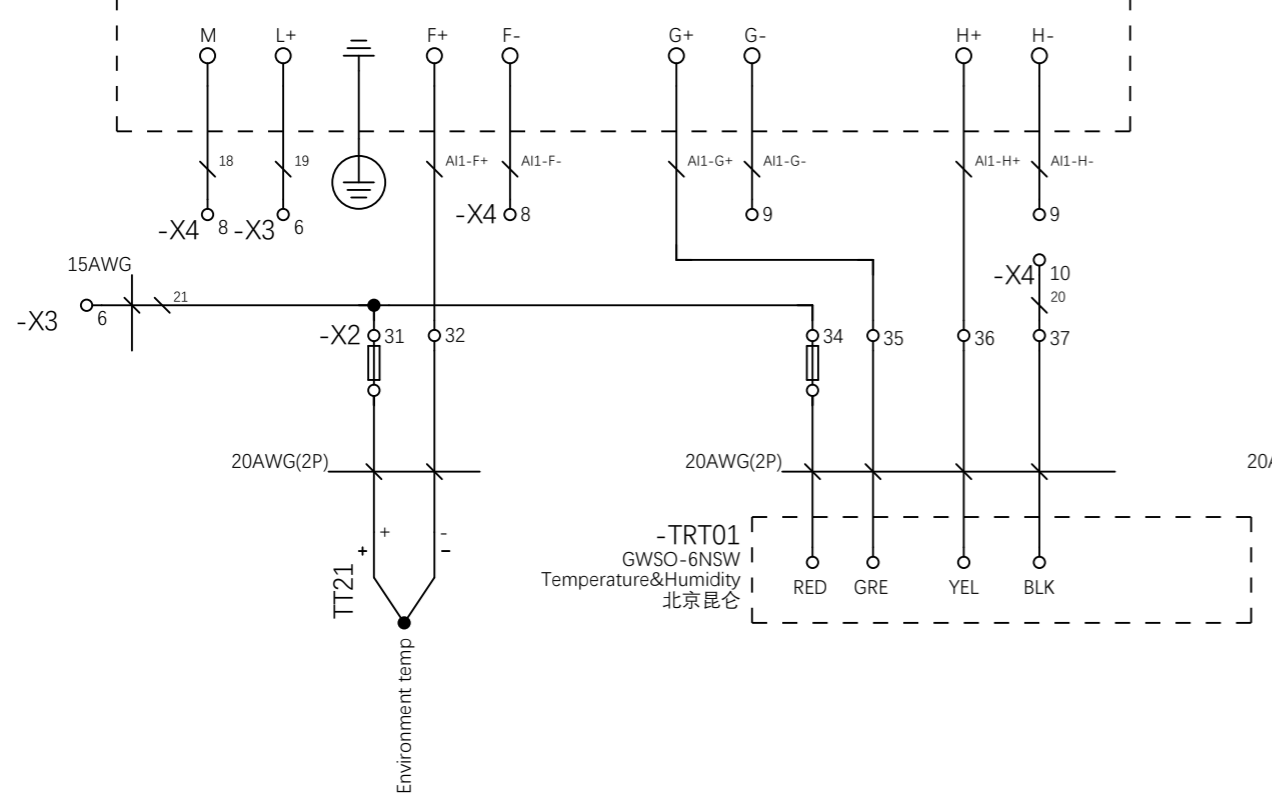
CTH2 231-1HF32



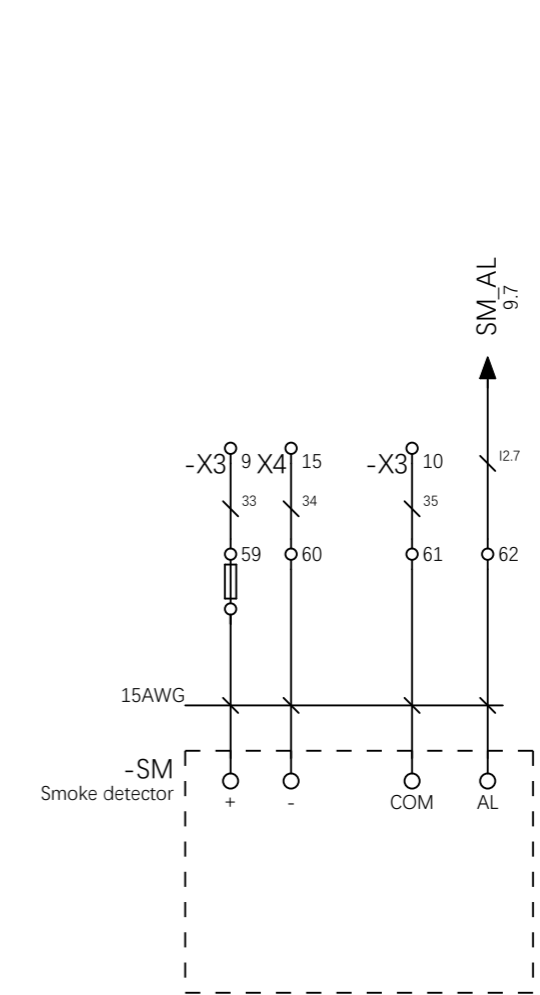
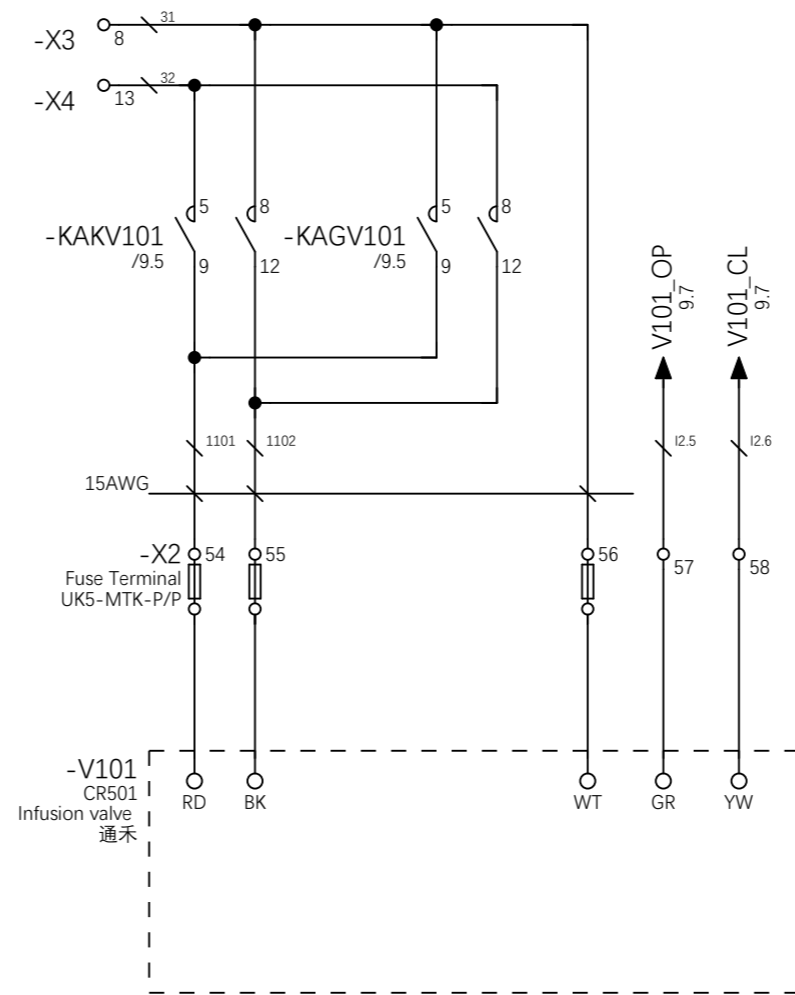
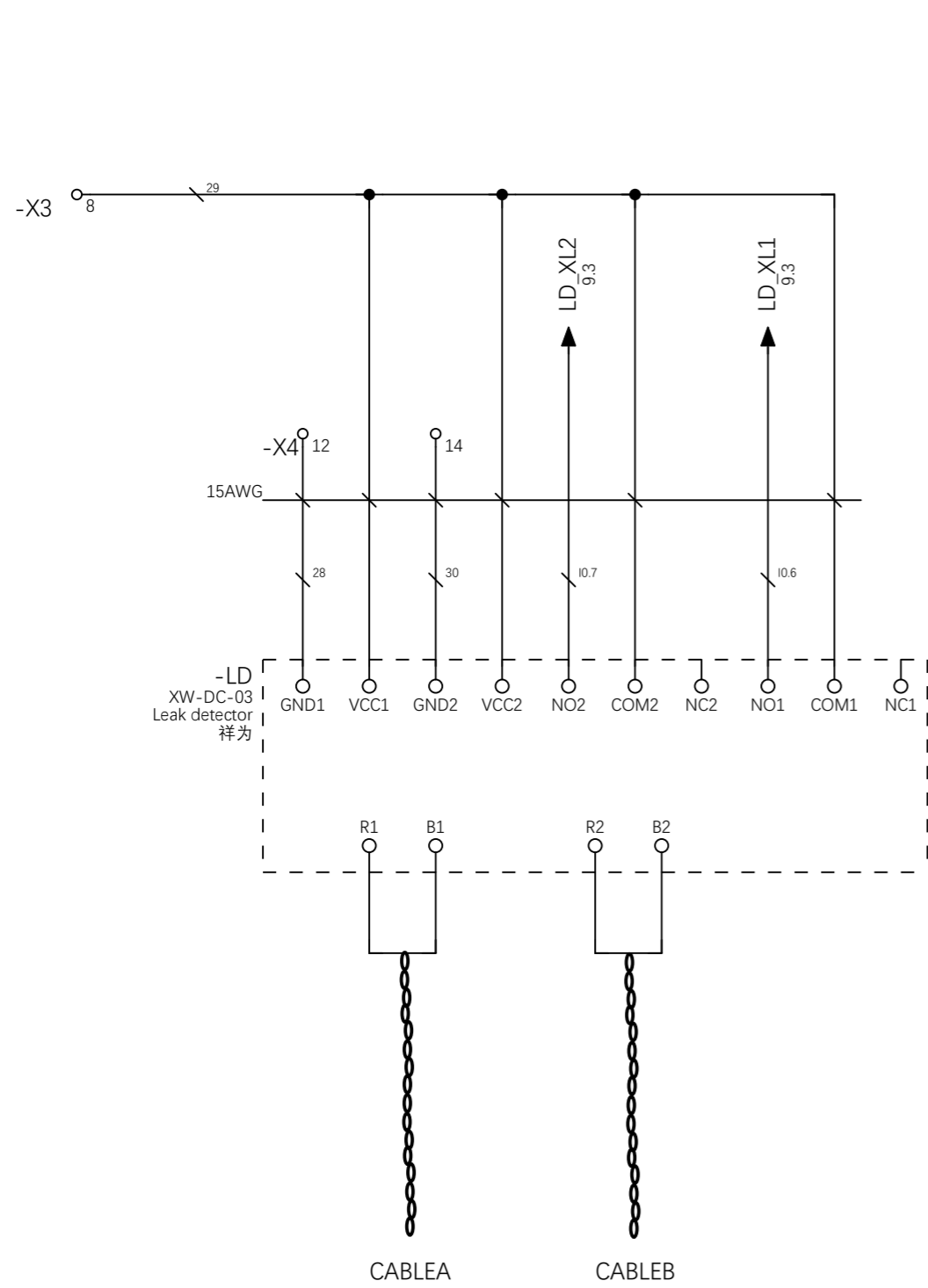
CTH2 231-7PC32



CTH2 232-0HB32



DATE	2022/5/15	Jiangyin Juyuan Intelligent Technology Co., Ltd.	1MW MINER LIQUID COOLING SYSTEM	扩展模块	=
AUTHOR					+ CABINET_C
CHECK					Page 10
MODIFY	DATE	NAME			52 Page / 55



DATE	2022/5/26	Jiangyin Juyuan Intelligent Technology Co., Ltd.	1MW MINER LIQUID COOLING SYSTEM	LEAK DETECTOR & ELE BALL VALVE 漏水检测仪和补液电动球阀	=
AUTHOR					+ CABINET_C
CHECK					Page 11
MODIFY	DATE	NAME			53 Page / 55

-X1

1  
2  
3  
4  
5  
6  
7  
8  
9  
10  
11  
12  
13  
14  
15  
16  
17  
18  
19  
20  
21  
22  
23  
24  
25  
26  
27  
28  
29  
30  
31  
32  
33  
34  
35  
36  
37  
38  
39  
40  
41  
42  
43  
44  
45  
46



-X2

1  
2  
3  
4  
5  
6  
7  
8  
9  
10  
11  
12  
13  
14  
15  
16  
17  
18  
19  
20  
21  
22  
23  
24  
25  
26  
27  
28  
29  
30  
31  
32  
33  
34  
35  
36  
37  
38  
39  
40  
41  
42  
43  
44  
45  
46  
47  
48  
49  
50  
51  
52  
53  
54  
55  
56  
57  
58  
59  
60



61  
62  
63  
64  
65  
66



-X3

1  
2  
3  
4  
5  
6  
7  
8  
9  
10



-X4

1  
2  
3  
4  
5  
6  
7  
8  
9  
10  
11  
12  
13  
14  
15



			DATE	2022/5/26	Jiangyin Juyuan Intelligent Technology Co., Ltd.	1MW MINER LIQUID COOLING SYSTEM	TERMERMENT 端子排	=
			AUTHOR					+ CABINET_C
			CHECK					Page 12
MODIFY	DATE	NAME						54 Page /55

X1 电源端子排			
U11	1		循环泵主电源
V11	2		
W11	3		
PE	4		
U12	5		循环泵角接触器
V12	6		
W12	7		
PE	8		
U21	9		1#散热风扇电源
V21	10		
W21	11		
PE	12		
U22	13		2#散热风扇电源
V22	14		
W22	15		
PE	16		
U3	17		补液泵电源
V3	18		
W3	19		
PE	20		
U4	21		喷淋泵电源
V4	22		
W4	23		
PE	24		
U51	25		1#冷却风机电源
V51	26		
W51	27		
PE	28		
U52	29		2#冷却风机电源
V52	30		
W52	31		
PE	32		
U53	33		3#冷却风机电源
V53	34		
W53	35		
PE	36		
QFMF 2	37	04	ESB1-NO3 集装箱急停按钮
QFWCU A1	38	05	ESB1-NO3
QFSW-2	39	19	配电柜A交换机电源
QFSW-4	40	20	
QFSW-2	41	19	配电柜B交换机电源
QFSW-4	42	20	
1L	43		配电柜A塑壳断路器脱扣线圈
1N	44		
1L	45		配电柜B塑壳断路器脱扣线圈
1N	46		

X2 信号端子排				
24V L+	1			照明灯
402	2			照明开关
24V L-	3			
12V+	4			人脸识别
12V-	5			
5V+	6			
5V-	7			
801	8	485A	PMMB-A	配电柜B电表通讯
802	9	485B	PMMB-B	
15	10	LS02	904	冷却塔液位控制器
11.0	11	LS02	903	
	12	LS01	902	低液位
10.0	13	LS01	901	
	14	LS03	909	高液位
12.3	15	LS03	910	
17	16	TT01+		供液温度
AI1-A+	17	TT01-		
PE	18	PE		
	19	PT01+		供液压力
AI1-B+	20	PT01-		
PE	21	PE		
	22	TT02+		回液温度
AI1-C+	23	TT02-		
PE	24	PE		
	25	PT02+		回液压力
AI1-D+	26	PT02-		
PE	27	PE		
	28	FIT01+		供液流量
AI1-E+	29	FIT01-		
PE	30	PE		
21	31	TT21+		环境温度
AI1-F+	32	TT21-		
PE	33	PE		
	34	TRT01-RED		温湿度传感器
AI1-G+	35	TRT01-GRE		
AI1-H+	36	TRT01-YEL		
20	37	TRT01-BLK		
PE	38	PE		
AI2-A+	39		蓝色	配电柜A温度
AI2-A-	40		红色	
AI2-a-	41		红色	
PE	42	PE	屏蔽层	
AI2-B+	43		蓝色	配电柜B温度
AI2-B-	44		红色	
AI2-b-	45		红色	
PE	46	PE	屏蔽层	
AI2-C+	47		蓝色	主控柜温度
AI2-C-	48		红色	
AI2-c-	49		红色	
PE	50	PE	屏蔽层	

25	51	V102-B	
24	52	V102-O	
AO-10	53	V102-E	
1101	54	V101-RD	
1102	55	V101-BK	
31	56	V101-WT	
12.5	57	V101-GR	
12.6	58	V101-YW	
33	59	SM+	
34	60	SM-	
35	61	SM-COM	
12.7	62	SM-AL	
15	63	906	SPD1-ALA-14 配电柜A浪涌报警
11.2	64	905	SPD1-ALA-11
15	65	908	SPD2-ALA-14 配电柜B浪涌报警
11.3	66	907	SPD2-ALA-11

X3 直流端子排24V+				
24V+	PW1+	1	KR-15	01
03	VF01-CM1	2	GPS-VCC	05
07	TP+	3	CPU-1L+ (DO)	09
11	CPU-2L+ (DO)	4	CPU-L+	13
15	X2:10	5	X2:16	17
19	AI1-L+	6	X2:31	21
23	AI2-L+	7	X2:51	25
27	AO1-L+	8	LD-VCC1	29
31	KAKV101-8	9	X2-59	33
35	X2-61	10		

X4 直流端子排24V-				
24V-	PW1-	1	GPS-GND	02
04	TP-	2	KAP01-A1	06
08	CPU-1M(DO)	3	CPU-2M(DO)	10
12	CPU-M(电源)	4	CPU-1M(DI)	14
16	CPU-2M(DI)	5	AI1	AI1-A-
AI1-B-	AI1	6	AI1	AI1-C-
AI1-D-	AI1	7	AI1	AI1-E-
18	AI1-M	8	AI1	AI1-F-
AI1-G-	AI1	9	AI1	AI1-H-
20	X2:37	10		
AO1-M0	AO1	11		
28	LD-GND1	12	AI2-M	22
32	KAKV101-5	13	AO1-M	26
24		14	LD-GND2	30
		15	X2-60	34